



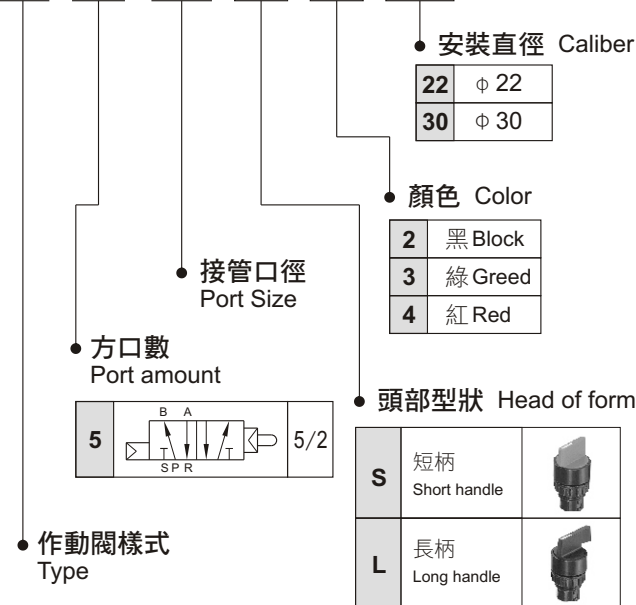
規格表 Specifications

接管口徑	Port thread size (G)	1/8"
位置數	Port amount	5/2
使用流體	Used fluid	空氣 Air
壓力範圍	Pressure range (kgf/cm ²)	1.5 ~ 8
有效斷面積	Effective section area (mm ²)	12
使用溫度	Ambient temperature (°C)	0 ~ 60
重量	Weight (g)	100

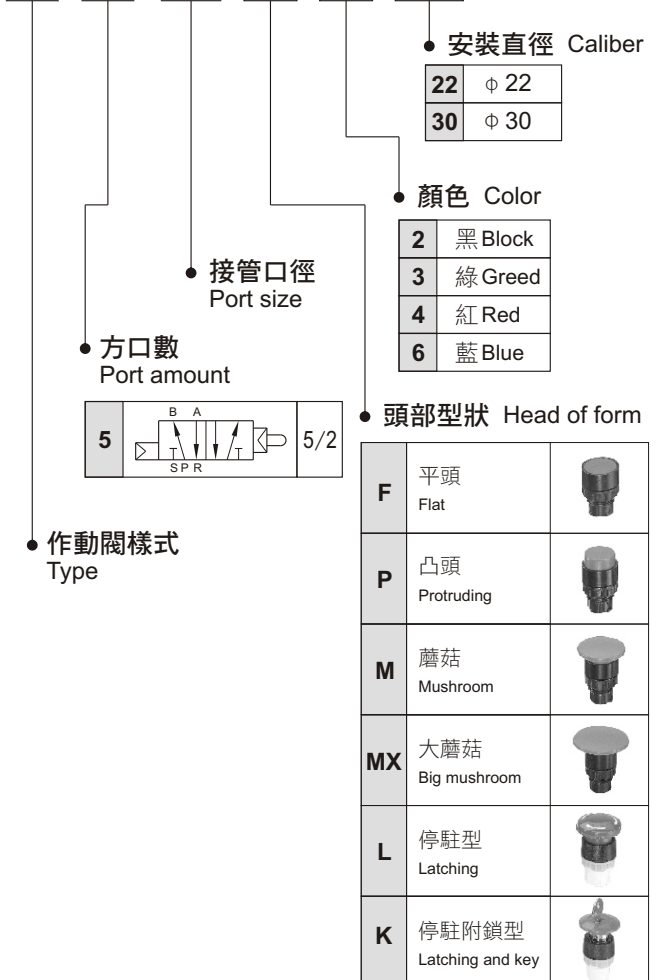
開關頭部選用鋅合金本體
Head of the switch made of zinc alloy

訂購代號 Order No.

H - 5 - 1/8 - S - 2 - 22

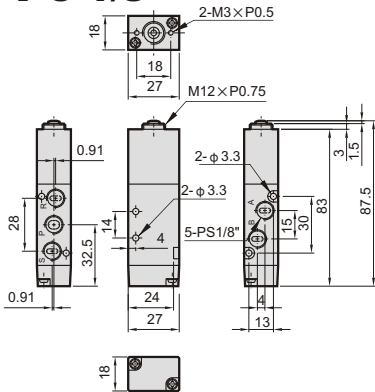


P - 5 - M5 - F - 2 - 22

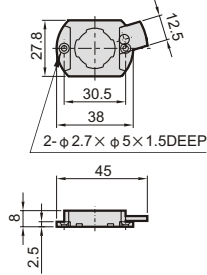


機械閥 Mechanical Valve

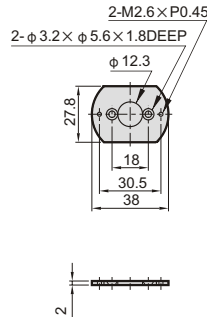
V-5-1/8



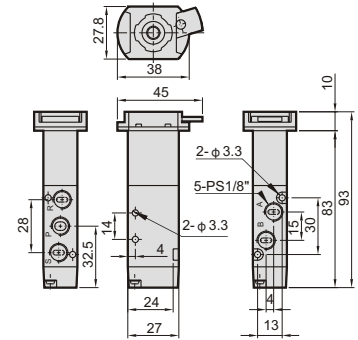
PH-05



PH-04-S2

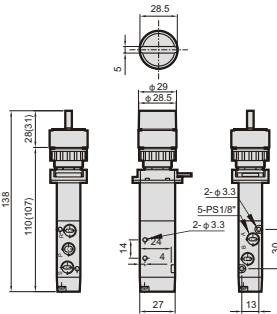


HP-5-1/8-□-□-□

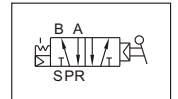


H-5-1/8-S-□-22 短柄手鈕作動閥
Short handle

H-5-1/8-S-□-30



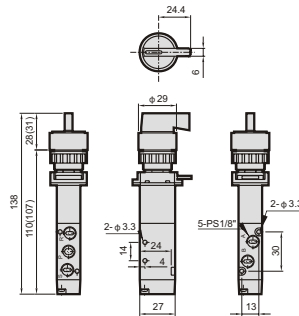
Symbol



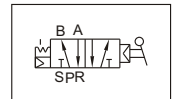
() = φ 30

H-5-1/8-L-□-22 長柄手鈕作動閥
Long handle

H-5-1/8-L-□-30



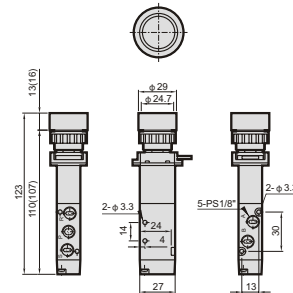
Symbol



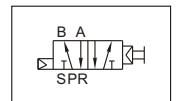
() = φ 30

P-5-1/8-F-□-22 平頭手鈕作動閥
Flat

P-5-1/8-F-□-30



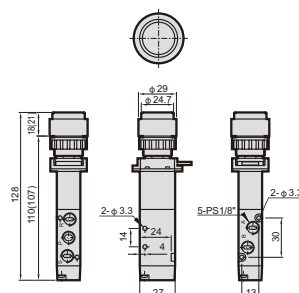
Symbol



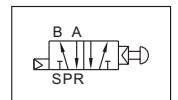
() = φ 30

P-5-1/8-P-□-22 凸頭手鈕作動閥
Protruding

P-5-1/8-P-□-30



Symbol



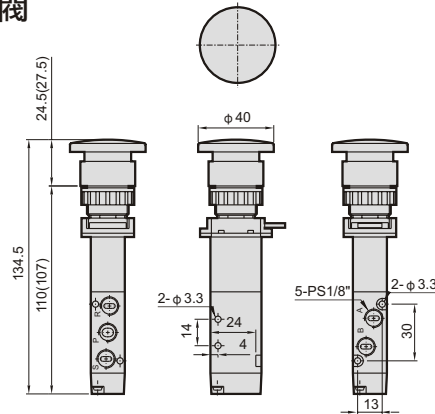
() = φ 30

機械閥 Mechanical Valve

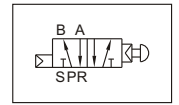
P-5-1/8-M-□-22 蘑菇手鈕作動閥

Mushroom

P-5-1/8-M-□-30



Symbol

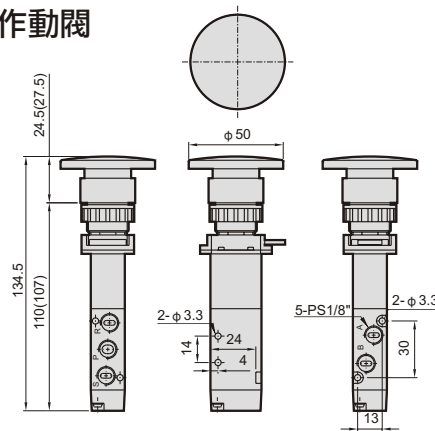


() = φ 30

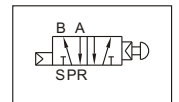
P-5-1/8-MX-□-22 大蘑菇手鈕作動閥

Big mushroom

P-5-1/8-MX-□-30



Symbol

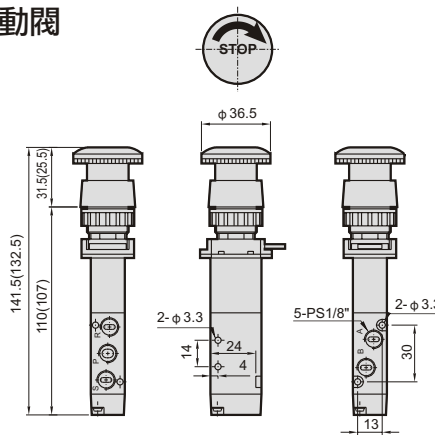


() = φ 30

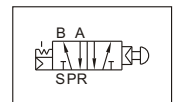
P-5-1/8-L-□-22 停駐型手鈕作動閥

Latching

P-5-1/8-L-□-30



Symbol

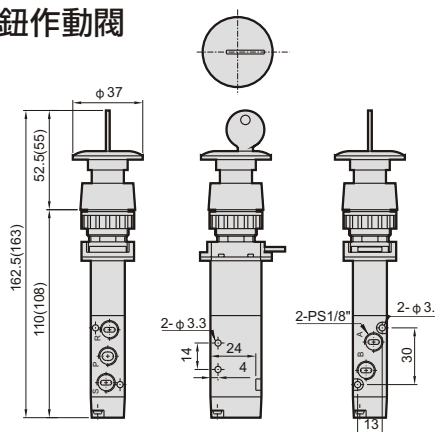


() = φ 30

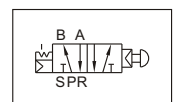
P-5-1/8-K-□-22 停駐附鎖型手鈕作動閥

Latching and key

P-5-1/8-K-□-30



Symbol



() = φ 30

Head Of The Switch

尺寸圖 Dimension



H-S



H-L



P-F



P-P



P-M



P-MX

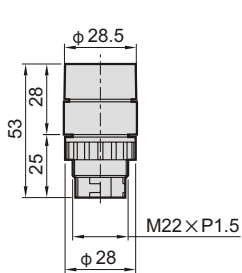


P-L

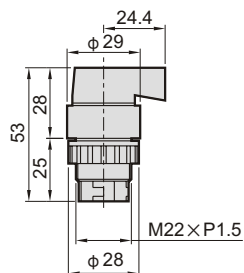


P-K

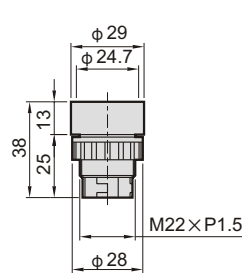
H-S-□-22



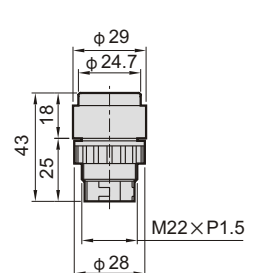
H-L-□-22



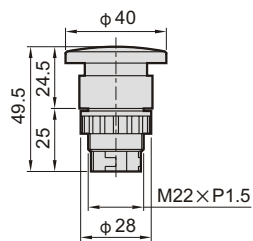
P-F-□-22



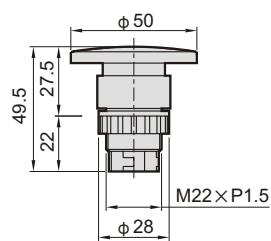
P-P-□-22



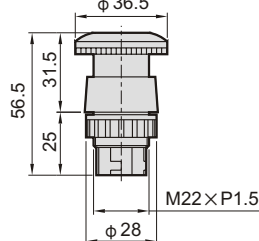
P-M-□-22



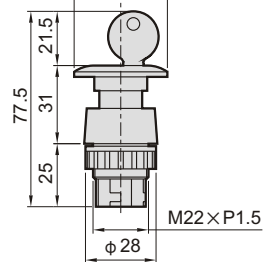
P-MX-□-22



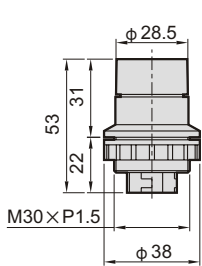
P-L-□-22



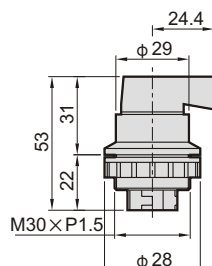
P-K-□-22



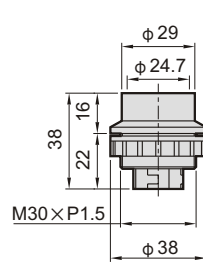
H-S-□-30



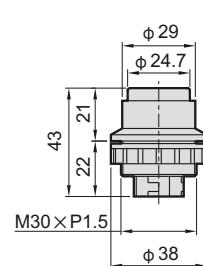
H-L-□-30



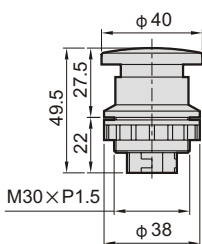
P-F-□-30



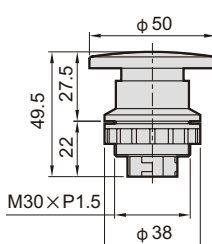
P-P-□-30



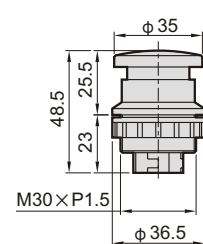
P-M-□-30



P-MX-□-30



P-L-□-30



P-K-□-30

