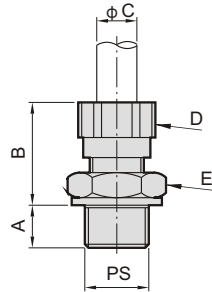


CK 系列 擺動式飛速型鋁合金接頭

PÖSU
Pneumatic

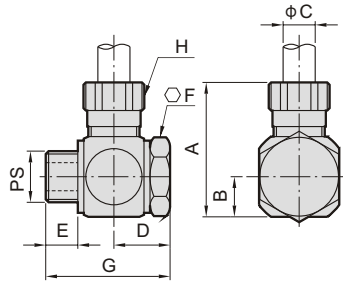
series **SWINGABLE ALUMINUM ALLOY BRASS COMPRESSION FITTINGS**

CK



訂購標示 How to order	A	B	C	D	E	PS	單價 Price
CK-4-M5	4	14	4	8	8	M5	14
CK-6-M5	4	14	6	9	8	M5	14
CK-4-1/8"	5.5	23.5	4	8	14	1/8"	28
CK-6-1/8"	5.5	26.5	6	14	14	1/8"	28
CK-8-1/8"	5.5	26.5	8	14	14	1/8"	32
CK-6-1/4"	8.5	20.5	6	14	17	1/4"	34
CK-8-1/4"	8.5	20.5	8	14	17	1/4"	34
CK-6-3/8"	9.5	21	6	14	19	3/8"	38
CK-8-3/8"	9.5	21	8	14	19	3/8"	38

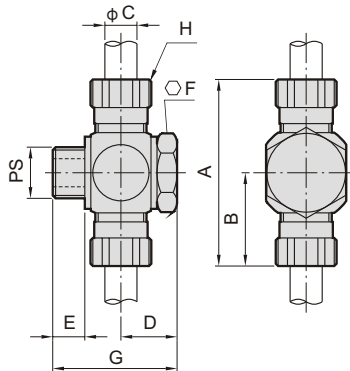
LCK=(VT+LK)



訂購標示 How to order	A	B	C	D	E	G	F	H	PS	單價 Price
LCK-4-M5	20	4.5	4	9	3.5	18	8	8.8	M5	33
LCK-6-M5	20	4.5	6	9	3.5	18	8	9.9	M5	33
LCK-4-1/8"	25	7.5	4	14	6	29	14	8.8	1/8"	52
LCK-6-1/8"	28	7.5	6	14	6	29	14	14	1/8"	52
LCK-8-1/8"	28	7.5	8	14	6	29	14	14	1/8"	52
LCK-6-1/4"	33.5	10	6	14	8	31	17	14	1/4"	58
LCK-8-1/4"	33.5	10	8	14	8	31	17	14	1/4"	58

- 只有LCK-4-M5及LCK-6-M5材質為銅鍍鎳
- Only LCK-4-M5 and LCK-6-M5 material are nickel-plated brass.

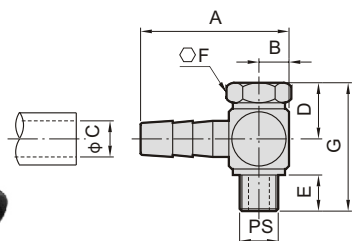
TCK=(VT+TK)



訂購標示 How to order	A	B	C	D	E	G	F	H	PS	單價 Price
TCK-4-M5	28.5	14	4	8.5	4	17	8	8.8	M5	50
TCK-6-M5	28.5	14	6	8.5	4	17	8	9.9	M5	50
TCK-4-1/8"	34	17	4	14	6	29	14	8.8	1/8"	64
TCK-6-1/8"	43	21.5	6	14	6	29	14	14	1/8"	64
TCK-8-1/8"	41	20.5	8	14	6	29	14	14	1/8"	68
TCK-6-1/4"	46	23	6	14	6	31	17	14	1/4"	70
TCK-8-1/4"	46	23	8	14	6	31	17	14	1/4"	74

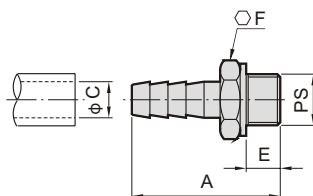
- 只有TCK-4-M5及TCK-6-M5材質為銅鍍鎳
- Only TCK-4-M5 and TCK-6-M5 material are nickel-plated brass.

LN=(VT+ON)



訂購標示 How to order	A	B	C	D	E	G	F	PS	單價 Price
LN-9-1/8"	37	7.5	9	14	6	29	14	1/8"	44
LN-9-1/4"	42.5	10	9	14	8	31	17	1/4"	46

N



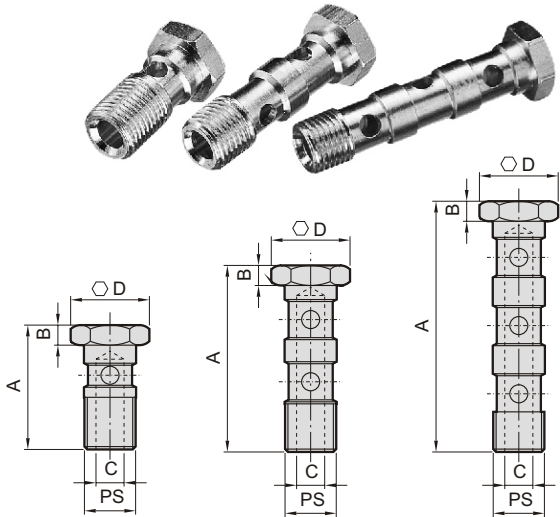
訂購標示 How to order	A	C	E	F	PS	單價 Price
N-4-M5	16	4	3.5	8	M5	14
N-6-M5	18.5	6	4	8	M5	14
N-9-1/8"	33.5	9	6.5	14	1/8"	20
N-9-1/4"	37	9	8.5	17	1/4"	22
N-9-3/8"	38.5	9	9.5	19	3/8"	24

其他配件

Swingable Aluminum Alloy Brass Compression Fittings

※此頁封環另購
Seal Ring this page optional purchase.

VT



圖(E)
DRAWING(E)

圖(F)
DRAWING(F)

圖(G)
DRAWING(G)

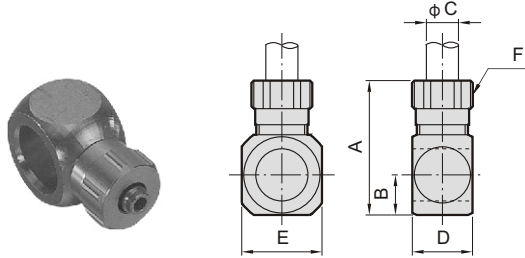
訂購標示 How to order	圖框 Drawing	A	B	C	D	PS	單價 Price
VT-1-M5	E	18	3.5	2	8	M5	13
VT-2-M5	F	30	3.5	2	8	M5	22
VT-1-1/8"	E	29	5	5.2	14	1/8"	23
VT-2-1/8"	F	45	5	5.2	14	1/8"	31
VT-3-1/8"	G	61	5	5.2	14	1/8"	44
VT-1-1/4"	E	31	5	7	17	1/4"	25
VT-2-1/4"	F	46.5	5	7	17	1/4"	34
VT-3-1/4"	G	62.5	5	7	17	1/4"	47
VT-1-1/4"-PT	E	29	5	7	17	PT1/4"	25

- 以上型號可以與LK型、TK型、ON型任意配合
- Above can be match to any one LK, TK, ON type.

訂購標示 How to order	圖框 Drawing	A	B	C	D	PS	單價 Price
VT-1-1/8"-L	E	35	5	5.2	14	1/8"	30
VT-1-1/4"-L	E	38	5	7	17	1/4"	32

- 共氣塊及附屬接頭之導氣螺栓
- 材質為銅鍍鎳
- The air-by pass bolt for the common air block and its connectors.
- Material are nickel-plated brass.

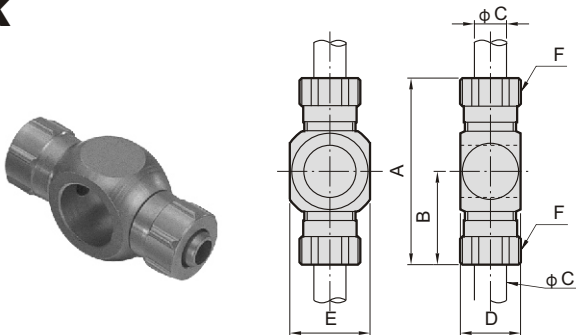
LK



訂購標示 How to order	A	B	C	D	E	F	單價 Price
LK-4-M5	20	4.5	4	9	9	8.8	20
LK-6-M5	20	4.5	6	9	9	9.9	20
LK-4-1/8"	25	7.5	4	15	15	8.8	32
LK-6-1/8"	28	7.5	6	15	15	14	32
LK-8-1/8"	28	7.5	8	15	15	14	32
LK-6-1/4"	33.5	10	6	15	20	14	36
LK-8-1/4"	33.5	10	8	15	20	14	36

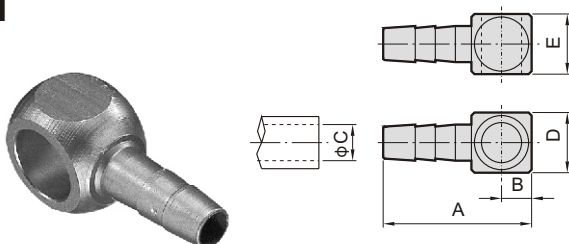
- 只有LK-4-M5及LK-6-M5材質為銅鍍鎳
- Only LK-4-M5 and LK-6-M5 material are nickel-plated brass.

TK



訂購標示 How to order	A	B	C	D	E	F	單價 Price
TK-4-M5	28.5	14	4	10	10	8.9	40
TK-6-M5	28.5	14	6	10	10	9.9	40
TK-4-1/8"	34	17	4	15	15	8.9	42
TK-6-1/8"	43	21.5	6	15	15	14	42
TK-8-1/8"	41	20.5	8	15	15	14	42
TK-6-1/4"	46	23	6	15	20	14	50
TK-8-1/4"	46	23	8	15	20	14	50

ON



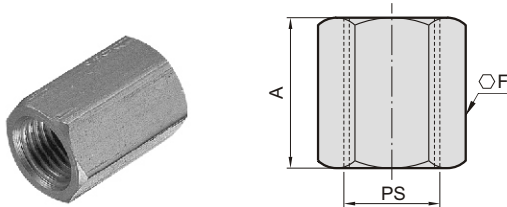
訂購標示 How to order	A	B	C	D	E	單價 Price
ON-9-1/8"	37	7.5	9	15	15	22
ON-9-1/4"	42.5	10	9	20	15	26

VT+LK+TK+ON



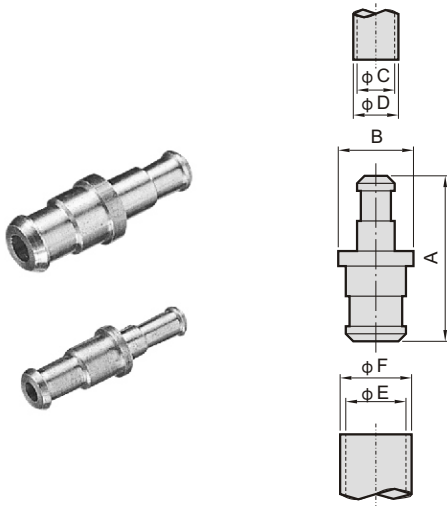
- 擺動式接頭，可搭配二孔至六孔使用，而螺牙處可為入氣源，管徑大小不同，可使用在同一螺絲上，從一層至三層任其選用(選擇型式，請參閱K-03頁)
- Swingable connector which can be used for 2 to 6 holes connection. Air source inlets at the thread part. Different size of tubes can be used at the same thread bolt, layer 1 upto layer 3 can be selected. (Please refer to p.K-03 for type selection)

QM



訂購標示 How to order	A	F	PS	單價 Price
QM-1/8"	20	14	1/8"	20
QM-1/4"	20	17	1/4"	22
QM-3/8"	25	19	3/8"	24

RTU



訂購標示 How to order	A	B	C	D	E	F	單價 Price
RTU3×4	20	6	2.5	4	4	6	18
RTU3×5	20.5	8	2.5	4	5	8	20
RTU3×6	20.5	8	2.5	4	6	8	20
RTU4×5	22	8	4	6	5	8	20
RTU4×6	22.5	8	4	6	6	8	20
RTU4×6.5	22	10	4	6	6.5	10	20

封環 O

Seal Ring



訂購標示 How to order	A	B	C	單價 Price
O-M5	8	M5	1	2
O-1/8"	13	1/8"	1.5	2
O-1/4"	18	1/4"	1.5	2.5
O-3/8"	21	3/8"	1.5	3