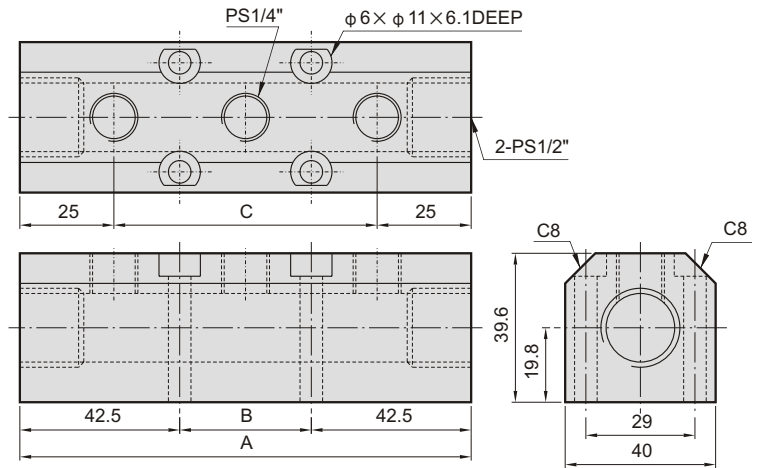
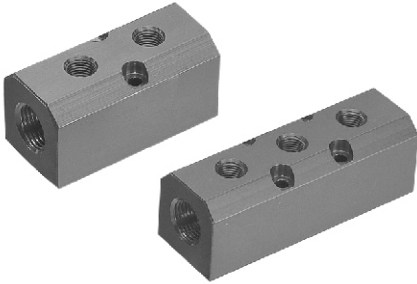
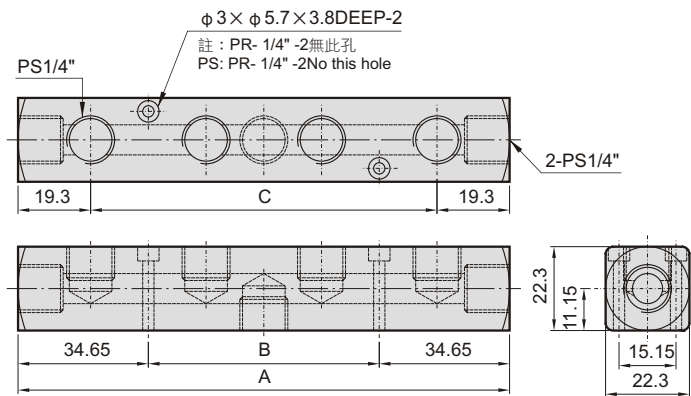


PR...B

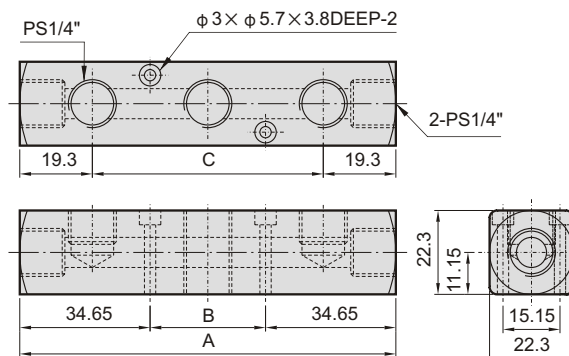


訂購標示 How to order	A	B	C
PR-1/2"-2B	85	0	35×1=35
PR-1/2"-3B	120	35	35×2=70
PR-1/2"-4B	155	70	35×3=105

PR



圖(A) DRAWING(A)



圖(B) DRAWING(B)

訂購標示 How to order	圖框 Drawing	A	B	C	重量 Weight
PR-1/4"-2	A	69.3	—	30.7×1=30.7	60g
PR-1/4"-3	B	100	30.7	30.7×2=61.4	100g
PR-1/4"-4	A	130.7	61.4	30.7×3=92.1	120g
PR-1/4"-5	B	161.4	92.1	30.7×4=122.8	160g

其他配件