

SN 系列 無拉桿式鋁合金氣缸



series DOUBLE ACTING - Aluminum Extruded Body Air Cylinders



雙動氣缸 Double acting cylinders

SN...	雙動標準型 DOUBLE ACTING - SINGLE END ROD TYPE	
SNR...	雙動附磁性感應型 DOUBLE ACTING - SINGLE END ROD TYPE (piston with magnet)	
SND	雙軸標準型 DOUBLE ACTING - DOUBLE END ROD TYPE	
SNDR...	雙軸附磁性感應型 DOUBLE ACTING - DOUBLE END ROD TYPE (piston with magnet)	
SND..A SND..B	雙軸可調行程 ADJUSTABLE FOWARD STROKE CYLINDER (adjustable stroke A:25mm B:50mm)	
SNDR..A SNDR..B	雙軸可調行程附磁性感應 ADJUSTABLE FOWARD STROKE CYLINDER (piston with magnet) (adjustable stroke A:25mm B:50mm)	

- 本系列空壓缸符合ISO 6431規格
- SN Series cylinders according to ISO 6431 (Bore size $\phi 32 \sim \phi 100$)

規格表 Specifications

氣缸內徑 Bore sizes of cylinder (mm)	$\phi 32$	$\phi 40$	$\phi 50$	$\phi 63$	$\phi 80$	$\phi 100$
標準行程 Standard stroke (mm)	25,50,75,100,125,150,175,200,250,300,350,400,450,500					
行程範圍 The range of stroke (mm)	行程2500mm以上需訂製 Stroke till 2500mm by request					
工作媒體 Power fluid	已濾清之壓縮空氣(潤滑或未潤滑) Filtered air with or without lubrication					
缸管材質 Material of cylinder barrel	鋁合金 Aluminum extrusion, Anodised 20 microns					
使用壓力範圍 The range of pressure (kgf/cm ²)	1 ~ 10.5					
使用溫度範圍 The range of temperature (°C)	-10 ~ 60					

訂購代號 Order No.

SN - R - 50 × 125 - A - FA - Y - LN-02A × 2

- 磁性感應 Magnet

	無磁性感應 without magnet
R	附磁性感應 with magnet
- 行程 Stroke

32	$\phi 32$
40	$\phi 40$
50	$\phi 50$
63	$\phi 63$
80	$\phi 80$
100	$\phi 100$
- 可調行程 Adjustable stroke

A	可調25mm Adjustable 25mm
B	可調50mm Adjustable 50mm
- 感應器數量 Quantity
- 配件 Accessories

FA	
FB	
LB	
CA	
CB	
TC	
Y	
P	
KG	
- 近接開關 Sensor switch

LN-01A		for $\phi 32, \phi 40$
LN-02A		for $\phi 50, \phi 63$
LN-03A		for $\phi 80, \phi 100$
- 型式 Type

SN	
SND	

修理包 Seal Kit 訂購代號 Order No.

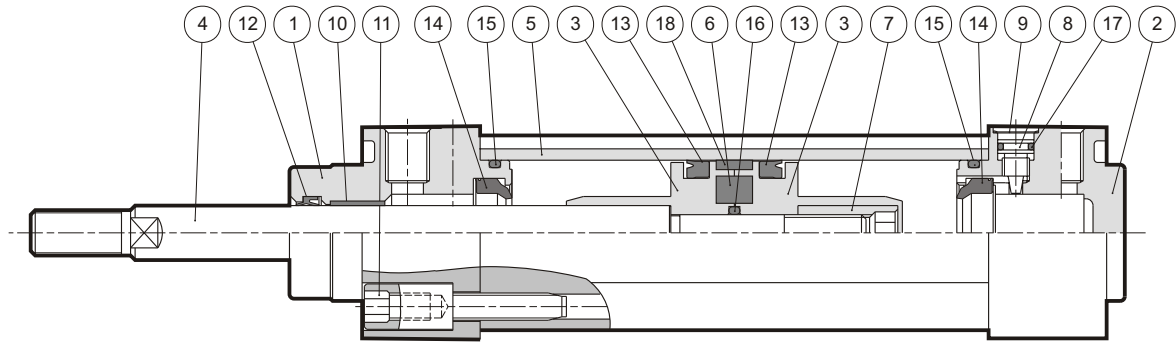
SNSK 32

● 內徑 Bore

32	SNSK32 - Including No.12,13,14,15,16,17,18
40	SNSK40 - Including No.12,13,14,15,16,17
50	SNSK50 - Including No.12,13,14,15,16,17
63	SNSK63 - Including No.12,13,14,15,16,17
80	SNSK80 - Including No.12,13,14,15,16,17,18
100	SNSK100 - Including No.12,13,14,15,16,17,18

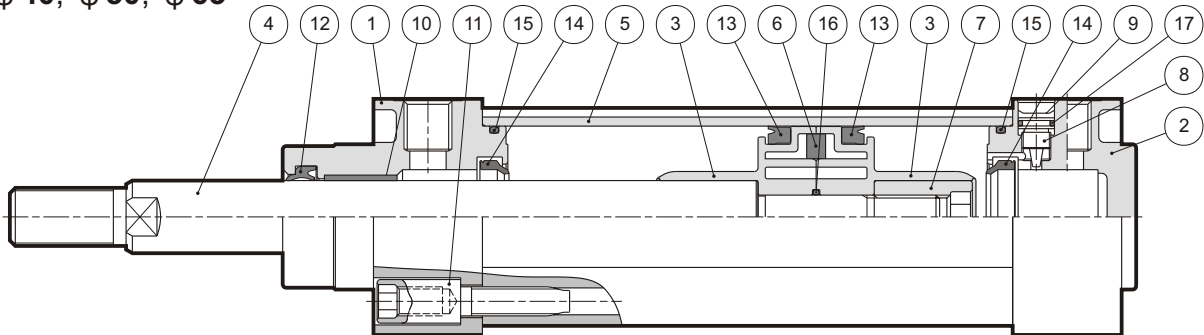
內部結構 Inside structure & parts list

Bore ϕ 32, ϕ 80, ϕ 100



No.	零件名稱 part name	數量 Quantity	No.	零件名稱 part name	數量 Quantity	No.	零件名稱 part name	數量 Quantity
1	前蓋 Rod cover	1	7	活塞固定螺帽 Piston nut	1	13	活塞U迫緊 Piston packing	2
2	後蓋 Head cover	1	8	緩衝針 Cushion needle	2	14	緩衝迫緊 Cushion packing	2
3	活塞本體 Piston	2	9	外齒墊圈 Washer	2	15	前後蓋O型環 Cylinder gasket	2
4	活塞桿 Piston rod	1	10	乾式軸承 Oilless bearing	1	16	活塞O型環 Piston gasket	1
5	氣缸本體 Cylinder tube	1	11	繫緊螺絲 Tie bolt	8	17	緩衝O型環 Needle gasket	2
6	磁環 Magnet	1	12	軸封 Rod packing	1	18	耐磨環 Wearing ring	1

Bore ϕ 40, ϕ 50, ϕ 63



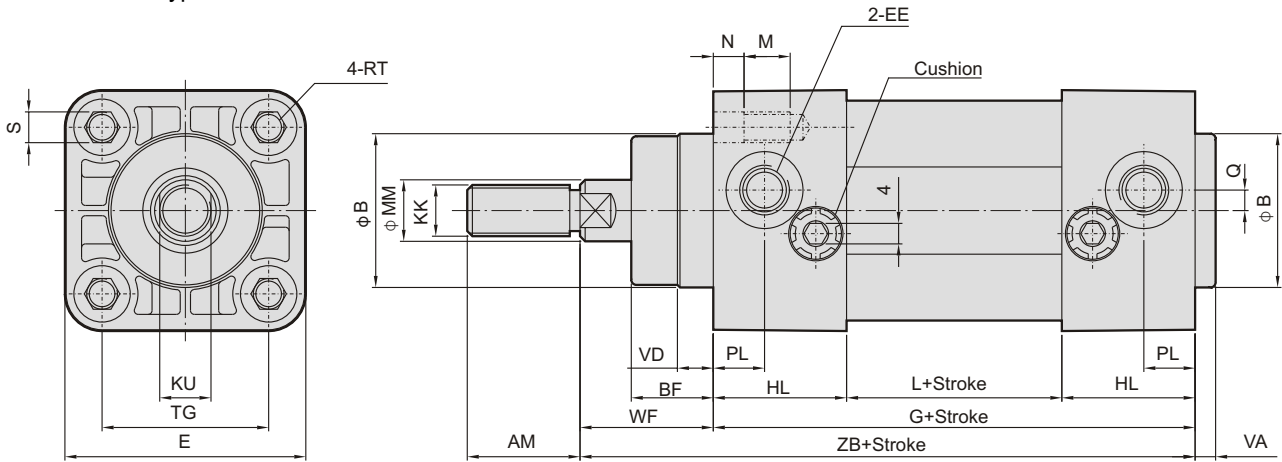
No.	零件名稱 part name	數量 Quantity	No.	零件名稱 part name	數量 Quantity	No.	零件名稱 part name	數量 Quantity
1	前蓋 Rod cover	1	7	活塞固定螺帽 Piston nut	1	13	活塞U迫緊 Piston packing	2
2	後蓋 Head cover	1	8	緩衝針 Cushion needle	2	14	緩衝迫緊 Cushion packing	2
3	活塞本體 Piston	2	9	外齒墊圈 Washer	2	15	前後蓋O型環 Cylinder gasket	2
4	活塞桿 Piston rod	1	10	乾式軸承 Oilless bearing	1	16	活塞O型環 Piston gasket	1
5	氣缸本體 Cylinder tube	1	11	繫緊螺絲 Tie bolt	8	17	緩衝O型環 Needle gasket	2
6	磁環 Magnet	1	12	軸封 Rod packing	1	18		

標準氣壓缸

Aluminum Extruded Body Air Cylinders

尺寸圖 Dimension $\phi 32 \sim \phi 100$

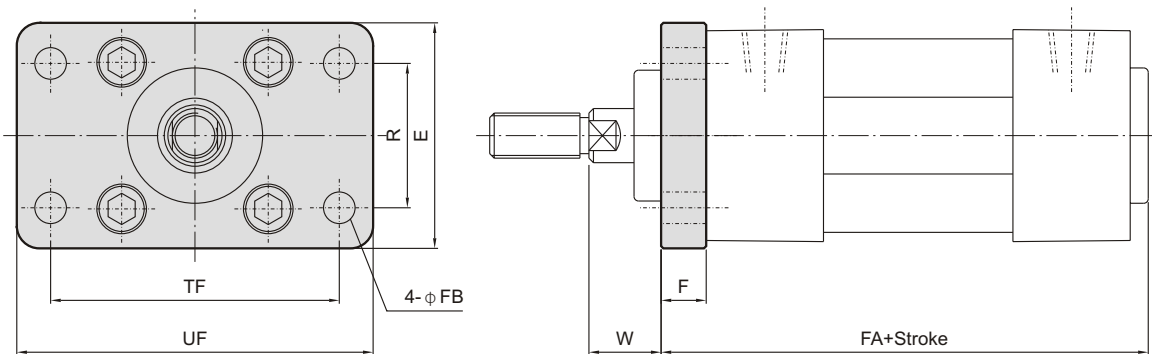
SN 標準型
Standard type



Bore	AM	B	BF	E	EE	G	HL	L	KK	KU	M	MM	N	PL	RT	TG	VA	VD	Q	S	WF	ZB
$\phi 32$	22	30	16	47	G 1/8	94	26	42	M10×P1.25	10	9	12	6	13	M6×P1.0	32.5	4	7	4	6	26	120
$\phi 40$	24	35	20	53	G 1/4	105	30	45	M12×P1.25	14	9	16	6	15	M6×P1.0	38	5	9	4	6	30	135
$\phi 50$	32	40	25	65	G 1/4	106	30	46	M16×P1.5	17	12	20	6	15	M8×P1.25	46.5	5	11	4	8	37	143
$\phi 63$	32	45	25	75	G 3/8	121	32	57	M16×P1.5	17	12	20	6	16	M8×P1.25	56.5	5	13	7	8	37	158
$\phi 80$	40	45	32	95	G 3/8	128	38	52	M20×P1.5	22	16	25	6	19	M10×P1.5	72	6	15	7	10	46	174
$\phi 100$	40	55	35	115	G 1/2	138	40	58	M20×P1.5	22	16	25	6	20	M10×P1.5	89	6	15	7	10	51	189

安裝配件 Accessories 尺寸圖 Dimension $\phi 32 \sim \phi 100$

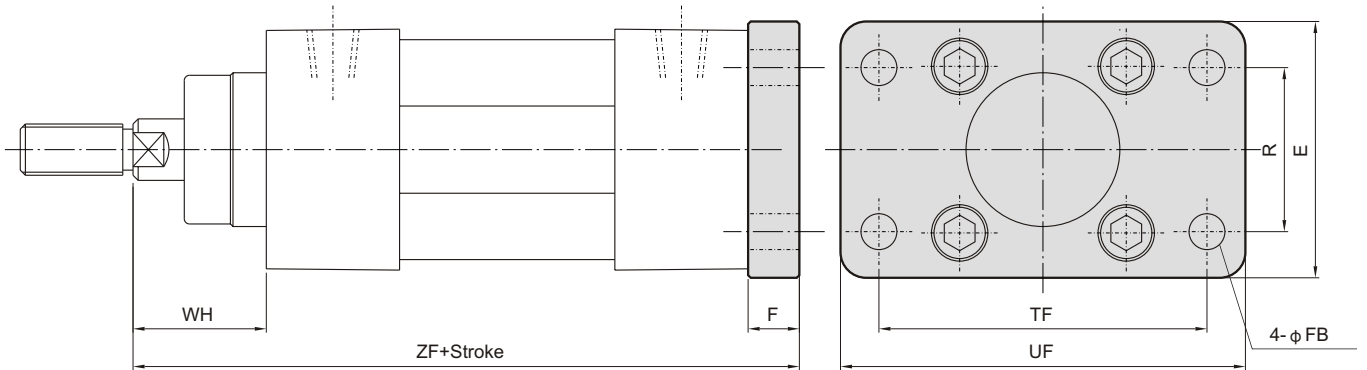
FA 前法蘭型
Front flange



Bore	E	F	FA	FB	TF	UF	W	R
$\phi 32$	50	10	108	7	64	79	16	32
$\phi 40$	55	10	120	9	72	90	20	36
$\phi 50$	65	12	123	9	90	110	25	45
$\phi 63$	75	12	138	9	100	120	25	50
$\phi 80$	95	16	150	12	126	153	30	63
$\phi 100$	115	16	160	14	150	178	35	75

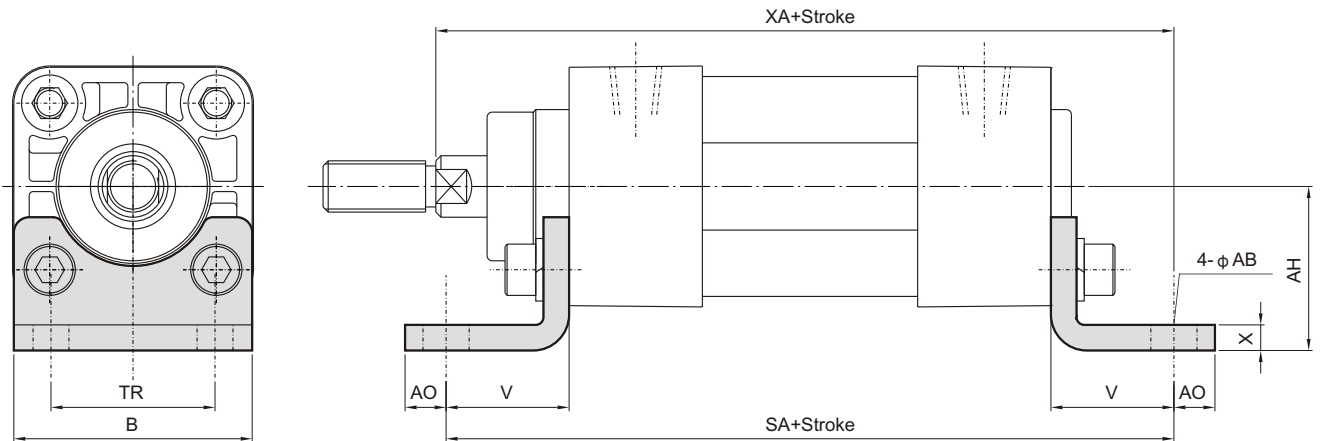
尺寸圖 Dimension $\phi 32 \sim \phi 100$

FB 後法蘭型
Rear Flange



Bore	E	F	ZF	FB	TF	UF	WH	R
$\phi 32$	50	10	130	7	64	79	26	32
$\phi 40$	55	10	145	9	72	90	30	36
$\phi 50$	65	12	155	9	90	110	37	45
$\phi 63$	75	12	170	9	100	120	37	50
$\phi 80$	95	16	190	12	126	153	46	63
$\phi 100$	115	16	205	14	150	178	51	75

LB 腳座型
Foot mount



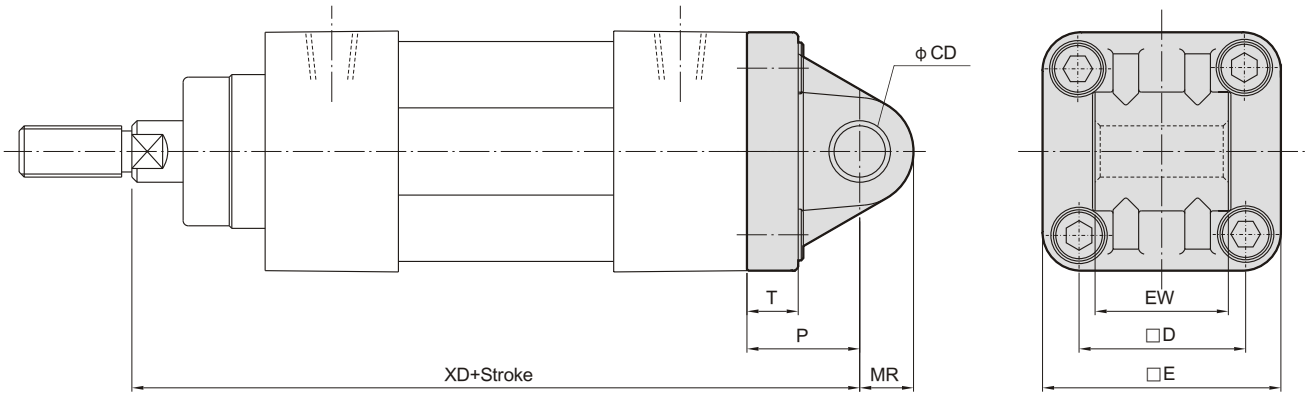
Bore	AB	AH	AO	B	SA	TR	V	X	XA
$\phi 32$	7	32	8	47	142	32	24	5	144
$\phi 40$	9	36	10	53	161	36	28	5	163
$\phi 50$	9	45	10	65	170	45	32	5	175
$\phi 63$	9	50	10	75	185	50	32	5	190
$\phi 80$	12	63	13	95	210	63	41	6	215
$\phi 100$	14	71	15	115	220	75	41	6	230

標準氣壓缸

Aluminum Extruded Body Air Cylinders

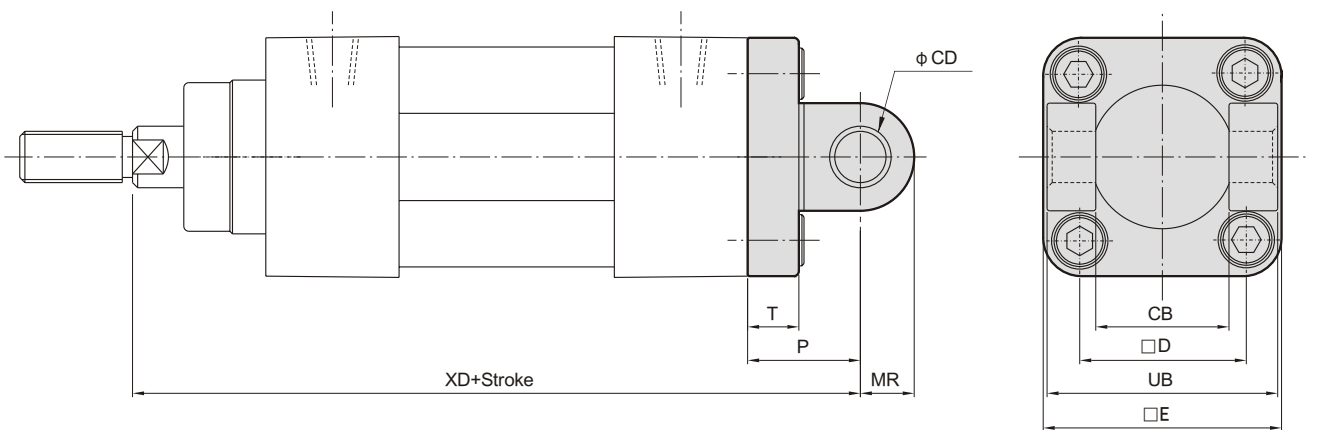
尺寸圖 Dimension $\phi 32 \sim \phi 100$

CA 單耳型
Clevis



Bore	CD	EW	MR	P	T	XD	D	E
$\phi 32$	10	26	10.5	22	10	142	32.5	47
$\phi 40$	12	28	13	25	10	160	38	53
$\phi 50$	12	32	13	27	12	170	46.5	65
$\phi 63$	16	40	17	32	12	190	56.5	75
$\phi 80$	16	50	17	36	16	210	72	95
$\phi 100$	20	60	21	41	16	230	89	115

CB 雙耳型
D-Clevis

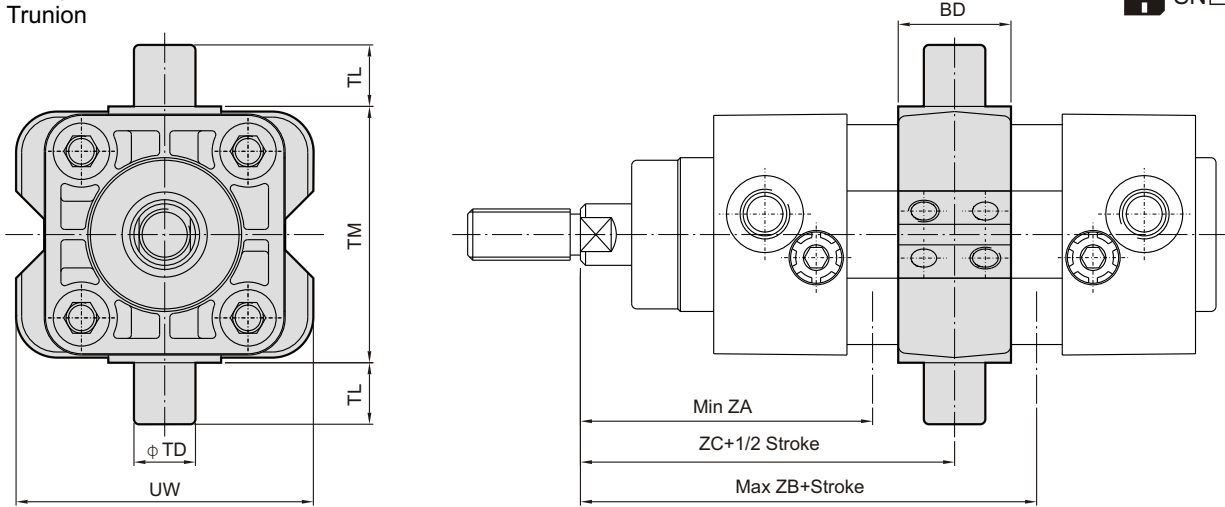


Bore	CB	CD	MR	P	T	UB	XD	D	E
$\phi 32$	26	10	10.5	22	10	45	142	32.5	47
$\phi 40$	28	12	13	25	10	52	160	38	53
$\phi 50$	32	12	13	27	12	60	170	46.5	65
$\phi 63$	40	16	17	32	12	70	190	56.5	75
$\phi 80$	50	16	17	36	16	90	210	72	95
$\phi 100$	60	20	21	41	16	110	230	89	115

Aluminum Extruded Body Air Cylinders

尺寸圖 Dimension $\phi 32 \sim \phi 100$

TC 砲耳型
Trunion



Bore	BD	TD	TL	TM	UW	ZA	ZB	ZC
$\phi 32$	22	12	12	50	58	73	73	73
$\phi 40$	28	16	16	63	70	77	88	82.5
$\phi 50$	32	16	16	75	85	86	94	90
$\phi 63$	35	20	20	90	100	89.5	105.5	97.5
$\phi 80$	40	20	20	110	120	107	113	110
$\phi 100$	45	25	25	132	145	116.5	123.5	120

理論出力表 Theoretical Cylinder Forces Table



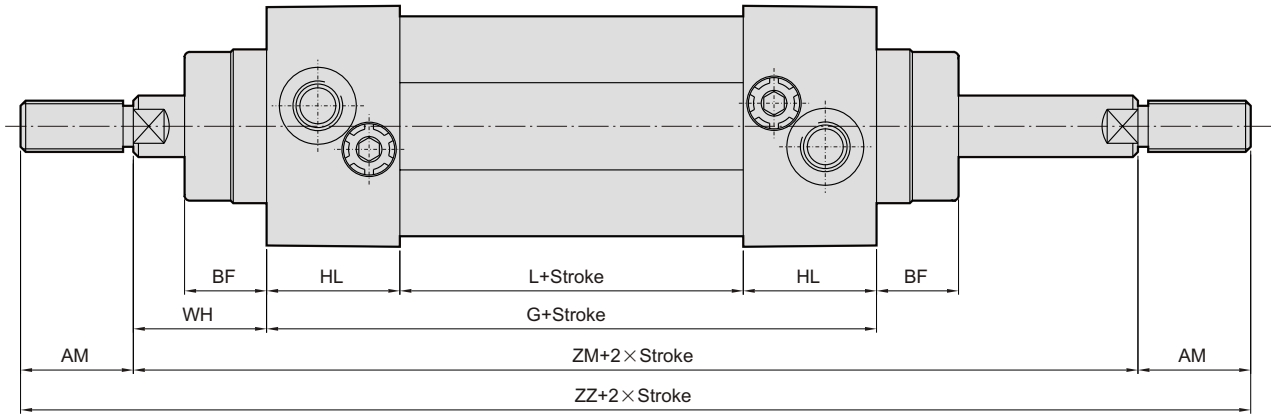
氣缸內徑 Bore	活塞桿直徑 Piston Rod Diameter	動作方向 Motion Direction	使用壓力 Working Pressure (Kgf/cm ²)								
			1	2	3	4	5	6	7	8	9
32	12	Push	8.0	16.1	24.1	32.2	40.2	48.2	56.3	64.3	72.3
		Pull	6.9	13.8	20.7	27.6	34.5	41.4	48.4	55.3	62.2
40	16	Push	12.5	25.1	37.6	50.2	62.8	75.3	87.9	100.4	113.0
		Pull	10.5	21.1	31.6	42.2	52.7	63.3	73.8	84.4	94.9
50	20	Push	19.6	39.2	58.8	78.5	98.1	117.7	137.3	157.0	176.6
		Pull	16.4	32.9	49.4	65.9	82.4	98.9	115.3	131.8	148.3
63	20	Push	31.1	62.9	93.4	124.6	155.7	186.9	218.0	249.2	280.4
		Pull	28	56.0	84.0	112.0	140.0	168.0	196.1	224.1	252.1
80	25	Push	50.2	100.4	150.7	200.9	251.2	301.4	351.6	401.9	452.1
		Pull	45.3	90.6	135.9	181.3	226.6	271.9	317.3	362.6	407.9
100	25	Push	78.5	157.0	235.5	314.0	392.5	471.0	549.5	628.0	706.5
		Pull	73.6	147.0	220.0	294.0	368.0	441.0	515.0	588.0	662.0

標準氣壓缸

Aluminum Extruded Body Air Cylinders

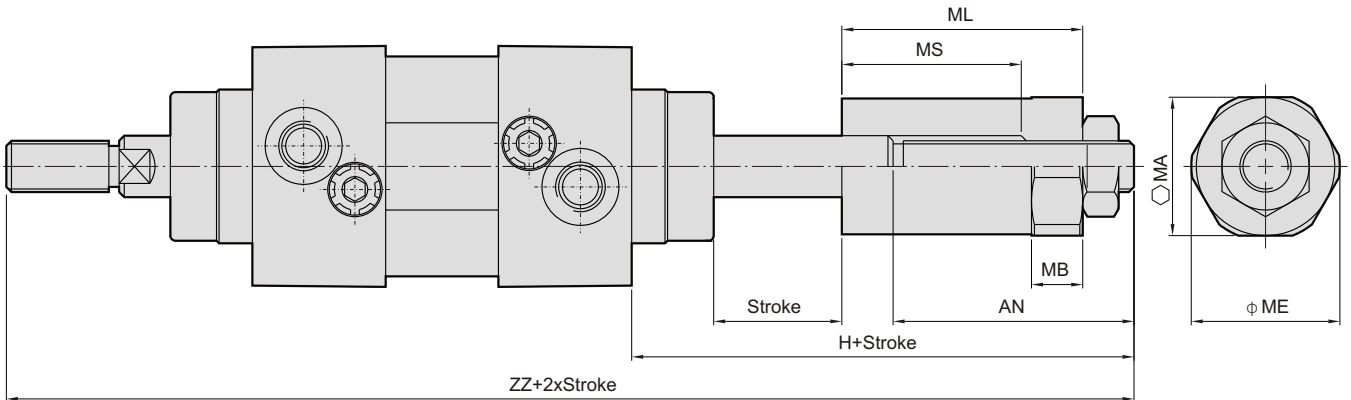
尺寸圖 Dimension $\phi 32 \sim \phi 100$

SND 雙軸型
Double rod



Bore	AM	BF	HL	L	WH	G	ZM	ZZ
$\phi 32$	22	16	26	42	26	94	146	190
$\phi 40$	24	20	30	45	30	105	165	213
$\phi 50$	32	25	30	46	37	106	180	244
$\phi 63$	32	25	32	57	37	121	195	259
$\phi 80$	40	32	38	52	46	128	220	300
$\phi 100$	40	35	40	58	51	138	240	320

SND...A/B 雙軸可調行程型
Double rod with adjustable stroke

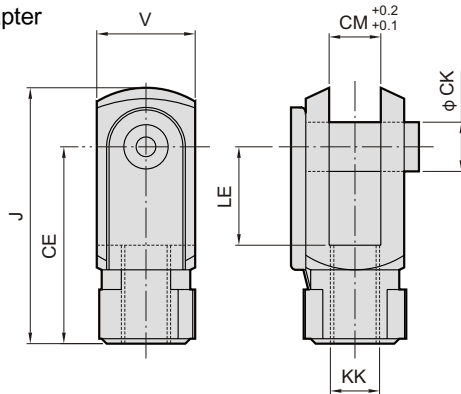


Bore	AN		H			MA	MB	ME	ML		MS		ZZ	
	A	B	A	B	A				B	A	B	A	B	
$\phi 32$	47	72	73	98	27	10	29	47	72	35	60	215	240	
$\phi 40$	48	73	78	103	32	10	35	47	72	37	62	237	262	
$\phi 50$	52	77	89	114	41	12	44	53	78	38	63	264	289	
$\phi 63$	52	77	89	114	41	12	44	53	78	38	63	279	304	
$\phi 80$	58	83	104	129	50.8	15	55	60	85	40	65	318	343	
$\phi 100$	58	83	104	129	50.8	15	55	60	85	40	65	333	358	

軸端配件 Accessories 尺寸圖 Dimension $\phi 32 \sim \phi 100$

Y Y型接頭
Y-Adapter

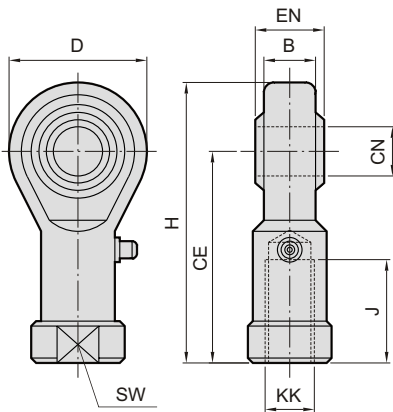
SN Y



Bore	CE	CK	CM	KK	LE	J	V
$\phi 32$	40	10	10	M10×P1.25	20	52	20
$\phi 40$	48	12	12	M12×P1.25	24	62	24
$\phi 50, \phi 63$	64	16	16	M16×P1.5	32	83	32
$\phi 80, \phi 100$	80	20	20	M20×P1.5	40	105	40

P P型接頭
P-Adapter

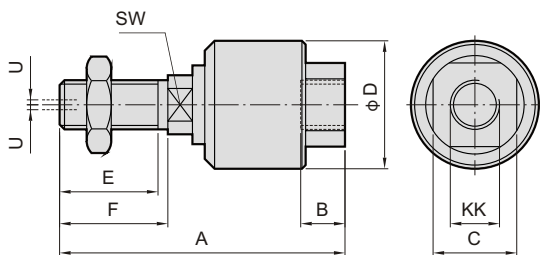
SN P



Bore	CE	CN	D	EN	H	KK	B	J	SW
$\phi 32$	43	10	28	14	57	M10×P1.25	10.5	20	17
$\phi 40$	50	12	30	16	65	M12×P1.25	12	24	19
$\phi 50, \phi 63$	64	16	38	21	83	M16×P1.5	15	33	22
$\phi 80, \phi 100$	77	20	46	25	100	M20×P1.5	18	40	30

KG KG型浮動接頭
KG-Adapter

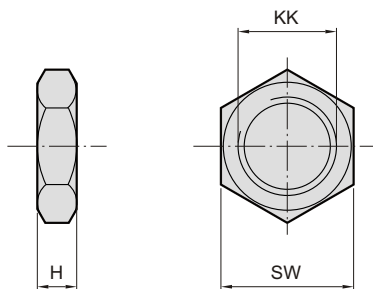
SN KG



Bore	A	B	C	D	E	F	SW	U	KK
$\phi 32$	58	9	17	26	20	22	10	0.75	M10×P1.25
$\phi 40$	58	9	17	28	21.5	22	12	0.75	M12×P1.25
$\phi 50, \phi 63$	90	14	27	45	27	28	17	1.25	M16×P1.5
$\phi 80, \phi 100$	102	18	33	53	29	32	22	2	M20×P1.5

軸牙螺帽
Mounting nut

SN KK



Bore	H	SW	KK
$\phi 32$	6	17	M10×P1.25
$\phi 40$	7	19	M12×P1.25
$\phi 50, \phi 63$	8	24	M16×P1.5
$\phi 80, \phi 100$	8	27	M20×P1.5

標準氣壓缸