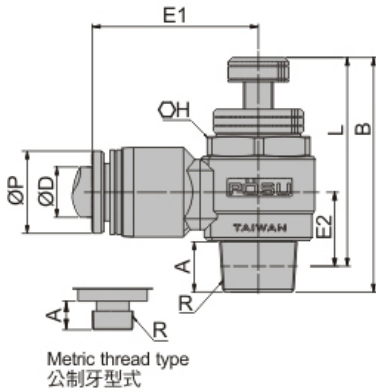


調速接頭 Speed Controller

PSB 彎頭型
NI Elbow

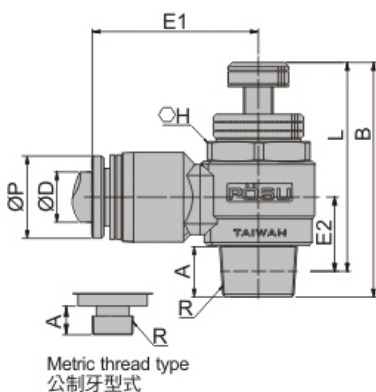
\$ P.07 3D CAD 2D CAD 單位(Unit): m/m



Model 型式	Tube dia. 管外徑	ØP	A	R	H	B		L	E1	E2	Mass(g) 重量	Orifice 流量孔徑
						MAX	MIN					
PSB□4-M3-NI	4	8	3	M3X0.5	7	28.7	26.1	24.9	17.2	9	8	1
PSB□4-M5-NI			3.5	M5X0.8	7.5	29.1	26.8	24.9	17.2	9	8.2	1
PSB□4-01-NI			5.8	PT1/8	12	36.4	31.7	28.2	20.6	10.6	20.2	1.9
PSB□4-01-NI-S			7.4	PT1/8	7	35.2	32.4	28.6	17.2	12.7	12.8	1
PSB□4-02-NI			8.5	PT1/4	17	29.1	26.8	34.4	22.2	12.4	37	2.5
PSB□4-03-NI			10.1	PT3/8	19	35.9	31.3	40.7	24.1	15.1	62.2	2.5
PSB□6-M3-NI	6	10	3	M5X0.5	7	28.7	26.1	24.9	17.2	9	9	1
PSB□6-M5-NI			3.5	M5X0.8	7.5	35.2	32.4	24.9	18.4	9	19	1
PSB□6-01-NI			5.8	PT1/8	12	36.4	31.7	28.2	20.6	11.8	19.5	1.9
PSB□6-01-NI-S			7.4	PT1/8	7	35.2	32.4	28.6	18.4	12.7	21	1
PSB□6-02-NI			8.5	PT1/4	17	35.2	32.4	34.4	22.2	12.7	35.6	3
PSB□6-03-NI			10.1	PT3/8	19	41.2	36.5	40.7	24.8	14.7	60.4	4
PSB□8-01-NI	8	13.6	5.8	PT1/8	12	46.8	42.6	28.8	25.4	10.9	21.8	1.9
PSB□8-02-NI			8.5	PT1/4	17	41.2	36.5	34.4	27.4	12.2	38.4	3
PSB□8-03-NI			10	PT3/8	19	46.8	42.6	40.8	30.3	15.2	63.2	4
PSB□8-04-NI			13.9	PT1/2	24	58.8	51.7	47.5	36.5	18.1	108	6
PSB□10-02-NI	10	16.7	8.5	PT1/4	17	47.7	43.2	34.5	31.7	12.4	42.2	3
PSB□10-03-NI			10.1	PT3/8	19	58.8	51.7	40.6	32.1	15.1	65.8	4
PSB□10-04-NI			14.2	PT1/2	24	41.5	36.5	47.5	33.5	18.1	111	5.5
PSB□12-03-NI	12	19.6	10.1	PT3/8	19	48.7	43.3	40.7	33.9	14.8	70.8	4
PSB□12-04-NI			13.9	PT1/2	24	58.8	51.7	47.6	36.5	18.8	115.4	5.5

PSB 彎頭型(白)
NI Elbow (Ivory)

\$ P.07 3D CAD 2D CAD 單位(Unit): m/m



Model 型式	Tube dia. 管外徑	ØP	A	R	H	B		L	E1	E2	Mass(g) 重量	Orifice 流量孔徑
						MAX	MIN					
PSB□4-M3-NI-W	4	8	3	M3X0.5	7	28.7	26.1	24.9	17.2	9	8	1
PSB□4-M5-NI-W			3.5	M5X0.8	7.5	29.1	26.8	24.9	17.2	9	8.2	1
PSB□4-01-NI-W			5.8	PT1/8	12	36.4	31.7	28.2	20.6	10.6	20.2	1.9
PSB□4-01-NI-W-S			7.4	PT1/8	7	35.2	32.4	28.6	17.2	12.7	12.8	1
PSB□4-02-NI-W			8.5	PT1/4	17	29.1	26.8	34.4	22.2	12.4	37	2.5
PSB□4-03-NI-W			10.1	PT3/8	19	35.9	31.3	40.7	24.1	15.1	62.2	2.5
PSB□6-M3-NI-W	6	10	3	M5X0.5	7	28.7	26.1	24.9	17.2	9	9	1
PSB□6-M5-NI-W			3.5	M5X0.8	7.5	35.2	32.4	24.9	18.4	9	19	1
PSB□6-01-NI-W			5.8	PT1/8	12	36.4	31.7	28.2	20.6	11.8	19.5	1.9
PSB□6-01-NI-W-S			7.4	PT1/8	7	35.2	32.4	28.6	18.4	12.7	21	1
PSB□6-02-NI-W			8.5	PT1/4	17	35.2	31.7	34.4	22.2	12.7	35.6	3
PSB□6-03-NI-W			10.1	PT3/8	19	41.2	36.5	40.7	24.8	14.7	60.4	4
PSB□8-01-NI-W	8	13.6	5.8	PT1/8	12	46.8	42.6	28.8	25.4	10.9	21.8	1.9
PSB□8-02-NI-W			8.5	PT1/4	17	41.2	36.5	34.4	27.4	12.2	38.4	3
PSB□8-03-NI-W			10	PT3/8	19	46.8	42.6	40.8	30.3	15.2	63.2	4
PSB□8-04-NI-W			13.9	PT1/2	24	58.8	51.7	47.5	36.5	18.1	108	6
PSB□10-02-NI-W	10	16.7	8.5	PT1/4	17	47.7	43.2	34.5	31.7	12.4	42.2	3
PSB□10-03-NI-W			10.1	PT3/8	19	58.8	51.7	40.6	32.1	15.1	65.8	4
PSB□10-04-NI-W			14.2	PT1/2	24	41.5	36.5	47.5	33.5	18.1	111	5.5
PSB□12-03-NI-W	12	19.6	10.1	PT3/8	19	48.7	43.3	40.7	33.9	14.8	70.8	4
PSB□12-04-NI-W			13.9	PT1/2	24	58.8	51.7	47.6	36.5	18.8	115.4	5.5

備註 Note NI: 金屬脫離環
S: 迷你型

NI: Release Ring (Metallic Body)
S: Mini Type

價格區
標準接頭
調速接頭
金屬調速
逆止閥
關斷型接頭
配管模組
手動閥
塑鋼接頭

介紹區

標準接頭

調速接頭

金屬調速

逆止閥

關斷型接頭

手動閥

配管模組

塑鋼接頭