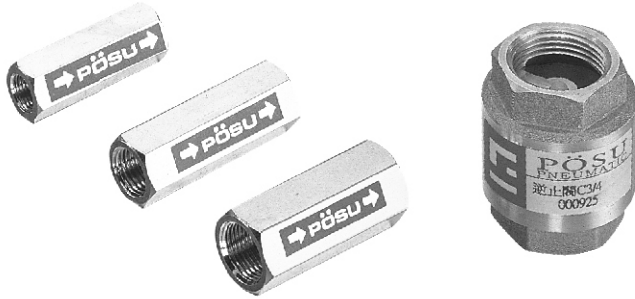


C

系列 止逆閥

series CHECK VALVE

PÖSU
PNEUMATIC

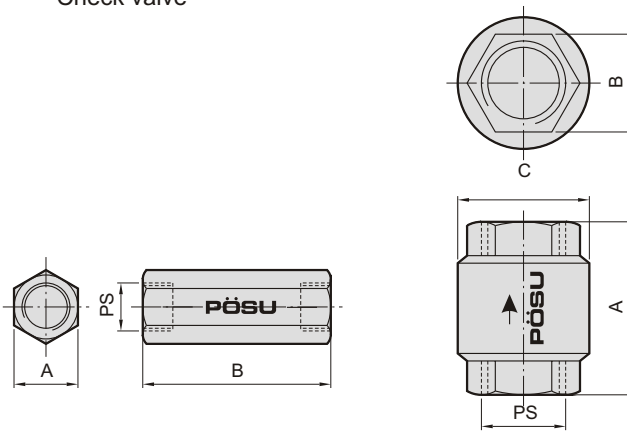


- 順著氣源方向，可自由流通，導逆時完全不通。
- Air flows freely at the air source direction, air blocks completely at the reverse direction.

閥體 Valve



C-□ 單向止逆閥 Check valve



圖(D) DRAWING(D)

圖(E) DRAWING(E)

訂購標示 How to order	流量 l/min	圖框 Drawing	A	B	C	PS
C-1/8"	470	D	14	40		1/8"
C-1/4"	1000	D	17	50		1/4"
C-3/8"	1950	D	21	50		3/8"
C-1/2"	5500	E	46	26	35	1/2"
C-3/4"	6600	E	52.5	32	41	3/4"
C-1"	8000	E	60	39	47.5	1"