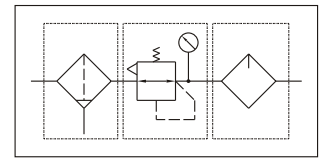




Symbol



本體材質鋁合金壓鑄

The body is made of die casting aluminum alloy.

### 規格表 Specifications

| 型式 Type   |                        | PC2010                                   | PC3010     | PC4010    |
|---|------------------------|--|------------|-----------|
| 構成機器<br>Component                                     | 調壓過濾閥 Filter Regulator | PW2000                                   | PW3000     | PW4000    |
|   | 給油器 Lubricator         | PL2000                                   | PL3000     | PL4000    |
| 接管口徑 Port size (G)                                    |                        | 1/8", 1/4"                               | 1/4", 3/8" | 1/2, 3/4" |
| 壓力錶接管口徑 Port size for pressure gauge (G)※             |                        | 1/8"                                     | 1/8"       | 1/4"      |
| 使用流體 Fluid  |                        | 空氣 Air                                   |            |           |
| 保證耐壓力 Proof pressure (kgf/cm <sup>2</sup> )           |                        | 15                                       |            |           |
| 最大使用壓力 Max. operating pressure (kgf/cm <sup>2</sup> ) |                        | 10.2                                     |            |           |
| 調壓範圍 Regulating range (kgf/cm <sup>2</sup> )          |                        | 0.5 ~ 8.7                                |            |           |
| 環境和介質溫度 Ambient and media temperature (°C)            |                        | -5 ~ 60(無凍結狀態)With no freezing           |            |           |
| 過濾精度 Nominal filtration rating (μm)                   |                        | 標準 Standard: 5 / 選項 Option: 0.01, 0.3, 2 |            |           |
| 建議用油 Recommended oil                                  |                        | ISO VG32                                 |            |           |
| 杯材料 Bowl material                                     |                        | 聚碳酸酯 Polycarbonate                       |            |           |
| 重量 Weight (kg)  |                        | 0.4                                      | 0.9        | 1.8       |

※只適用於圓形壓力錶 (Only for round gauge)

### 選配零件/附屬裝置 Accessory (Optional) / Attachment

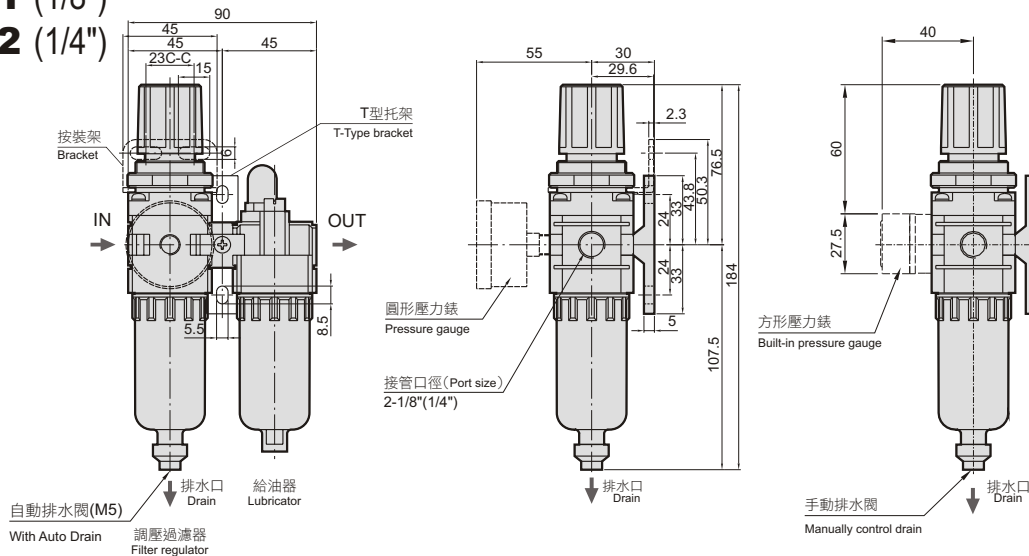
| 名稱 Name                         | 型式 Type                         | 零件型式 Part No.                   |                      |            | 參考頁數<br>Reference Page |      |
|---------------------------------|---------------------------------|---------------------------------|----------------------|------------|------------------------|------|
|                                 |                                 | PC2000                          | PC3000               | PC4000     |                        |      |
| 選配零件<br>Accessory<br>(Optional) | 壓力錶<br>Pressure gauge           | 10 kgf/cm <sup>2</sup>          | 圓形 Round<br>K40110   | K40110     | K40210                 | A-36 |
|                                 |                                 | 4 kgf/cm <sup>2</sup>           | 方形 Square<br>GK27510 | GK27510    | GK27510                | A-36 |
|                                 |                                 |                                 | 圓形 Round<br>K40104   | K40104     | K40204                 | A-36 |
|                                 | 自動排水<br>Auto drain              | 浮球式N.C (Float type)※            | —                    | AD53       | AD53                   | —    |
|                                 |                                 | 差壓式(Differential pressure type) | AD62                 | —          | —                      | —    |
|                                 | 配管接頭 Piping adaptor             | —                               | E30-04               | E40-10     | A-38                   |      |
|                                 | T型分歧塊 T-type spacer             | Y21-M5                          | Y31-02               | —          | A-33                   |      |
|                                 | L型托架 L-type bracket             | B210L                           | B310L                | B410L      | A-34                   |      |
| T型托架 T-type bracket             | B210T                           | B310T                           | B410T                | A-34       |                        |      |
| O型隔板 O-type spacer              | Y20                             | Y30                             | Y40                  | A-33       |                        |      |
| 2通口分歧塊 Cross interface          | —                               | Y32-02                          | Y42-04               | A-38       |                        |      |
| 附屬裝置<br>Attachment              | 殘壓排放閥 Residual pressure release | PHS2000-02                      | PHS3000-03           | PHS4000-06 | A-37                   |      |
|                                 | 壓力開關 Pressure switch            | P1-□                            | P1-□                 | P1-□       | A-39                   |      |
|                                 | 數位壓力開關 Digital pressure switch  | P20□                            | P20□                 | P20□       | A-41                   |      |

※最小操作壓力 (Mini operating) : N.C - 1.5 kgf/cm<sup>2</sup>

尺寸圖 Dimension

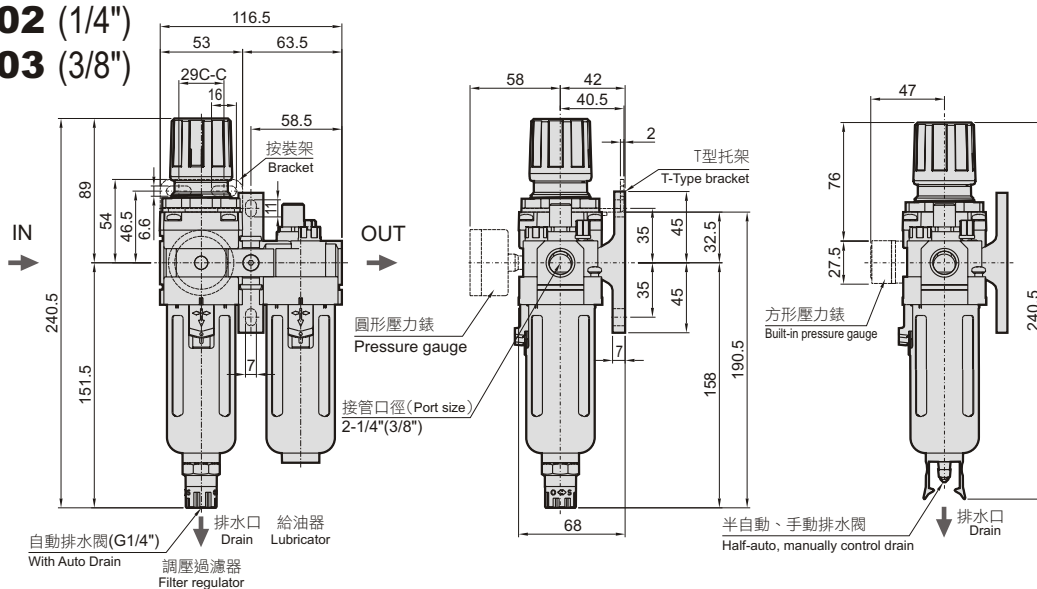
**PC2010-01 (1/8")**

**PC2010-02 (1/4")**



**PC3010-02 (1/4")**

**PC3010-03 (3/8")**



**PC4010-04 (1/2")**

**PC4010-06 (3/4")**

