

CXS 系列 雙軸倍力缸

series DUAL-ROD CYLINDERS



雙軸倍力缸 Dual-Rod cylinders

CXSB	含油軸襯重負荷型 HEAVY DUTY (BUSH) TYPE	
CXSU	線性軸承精密型 HEAVY DUTY (LINEAR BEARING) TYPE	

- 本氣壓缸採用雙軸作動，具有二倍推力，運轉作業間平穩精度高。
- CXS系列均附磁性感應。
- Twin piston rod provides double action force and makes the positioning more precisely.
- All cxs series with magnet.

規格表 Specifications

氣缸內徑 Bore sizes of cylinder (mm)	φ 6	φ 10	φ 16	φ 20	φ 25	φ 32
工作媒體 Power fluid	已濾清之壓縮空氣(潤滑或未潤滑) Filtered air with or without lubrication					
最小使用壓力 Min operation pressure (kgf/cm ²)	1.5	1		0.5		
最大使用壓力 Max operation pressure (kgf/cm ²)	7					
最大供應壓力 Max supply pressure (kgf/cm ²)	10.5					
使用溫度範圍 Ambient temperature (°C)	-10 ~ 60					
使用速度範圍 Available speed range (mm/s)	30 ~ 300	30 ~ 500	30 ~ 500			
配管口徑 Port size	M5×0.8				PT 1/8	
可調行程範圍 Adjustable stroke (mm)	0 ~ -5					

訂購代號 Order No.

CXSB - **25** × **100** - **LN-32H** × **2**



6	φ 6	20	φ 20
10	φ 10	25	φ 25
16	φ 16	32	φ 32

● 型式 Type



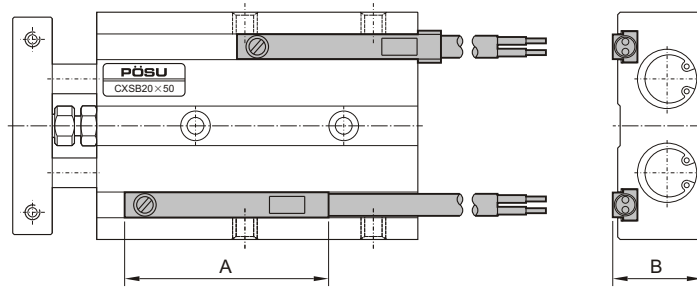
標準行程

Type	Bore	10	15	20	25	30	35	40	45	50	60	70	75	80	90	100	125	150
CXSB	φ 6	●	-	●	-	●	-	●	-	●	-	-	-	-	-	-	-	-
	φ 10	●	●	●	●	●	●	●	●	●	●	●	●	-	-	-	-	-
	φ 16	●	●	●	●	●	●	●	●	●	●	●	●	●	●	●	●	●
CXSU	φ 20	●	●	●	●	●	●	●	●	●	●	●	●	●	●	●	●	●
	φ 25	●	●	●	●	●	●	●	●	●	●	●	●	●	●	●	●	●
	φ 32	●	●	●	●	●	●	●	●	●	●	●	●	●	●	●	●	●

近接開關 Sensor switches 尺寸圖 Dimension $\phi 6 \sim \phi 32$

CXSB / CXSU

Bore	近接開關型式 sensor switch	A	B
$\phi 6$	LN32H	29	16.5
$\phi 10$	LN32H	29	18
$\phi 16$	LN32H	29	20.5
$\phi 20$	LN32H	29	25.5
$\phi 25$	LN32H	29	30.5
$\phi 32$	LN32H	29	38.5



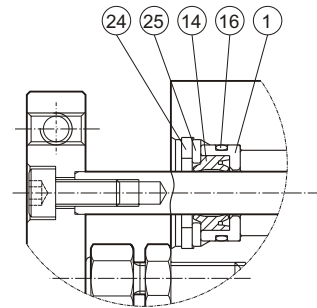
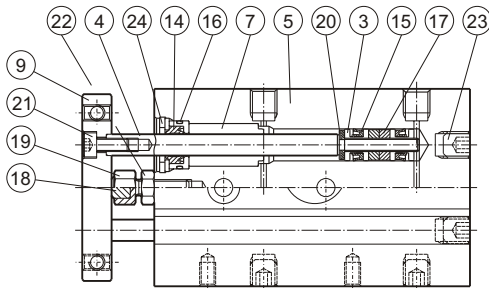
修理包 Seal Kit 訂購代號 Order No.

CXSSK 32 • 內徑 Bore

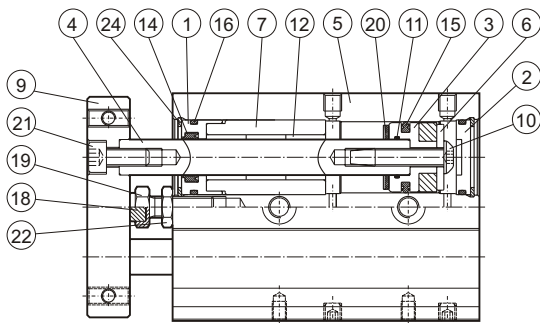
6	CXSSK6 - Including No.14,15,16	20	CXSSK20 - Including No.14,15,16
10	CXSSK10 - Including No.14,15,16	25	CXSSK25 - Including No.14,15,16
16	CXSSK16 - Including No.14,15,16	32	CXSSK32 - Including No.14,15,16

內部結構 Inside structure & parts list

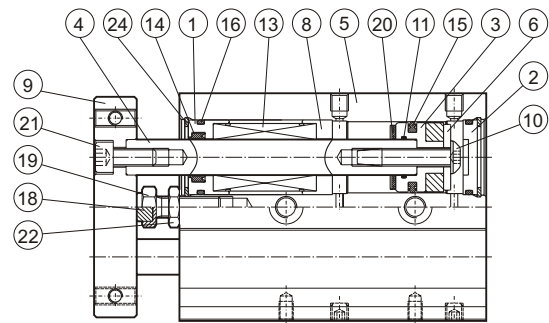
CXSB Bore $\phi 6$



CXSB Bore $\phi 10 \sim \phi 32$



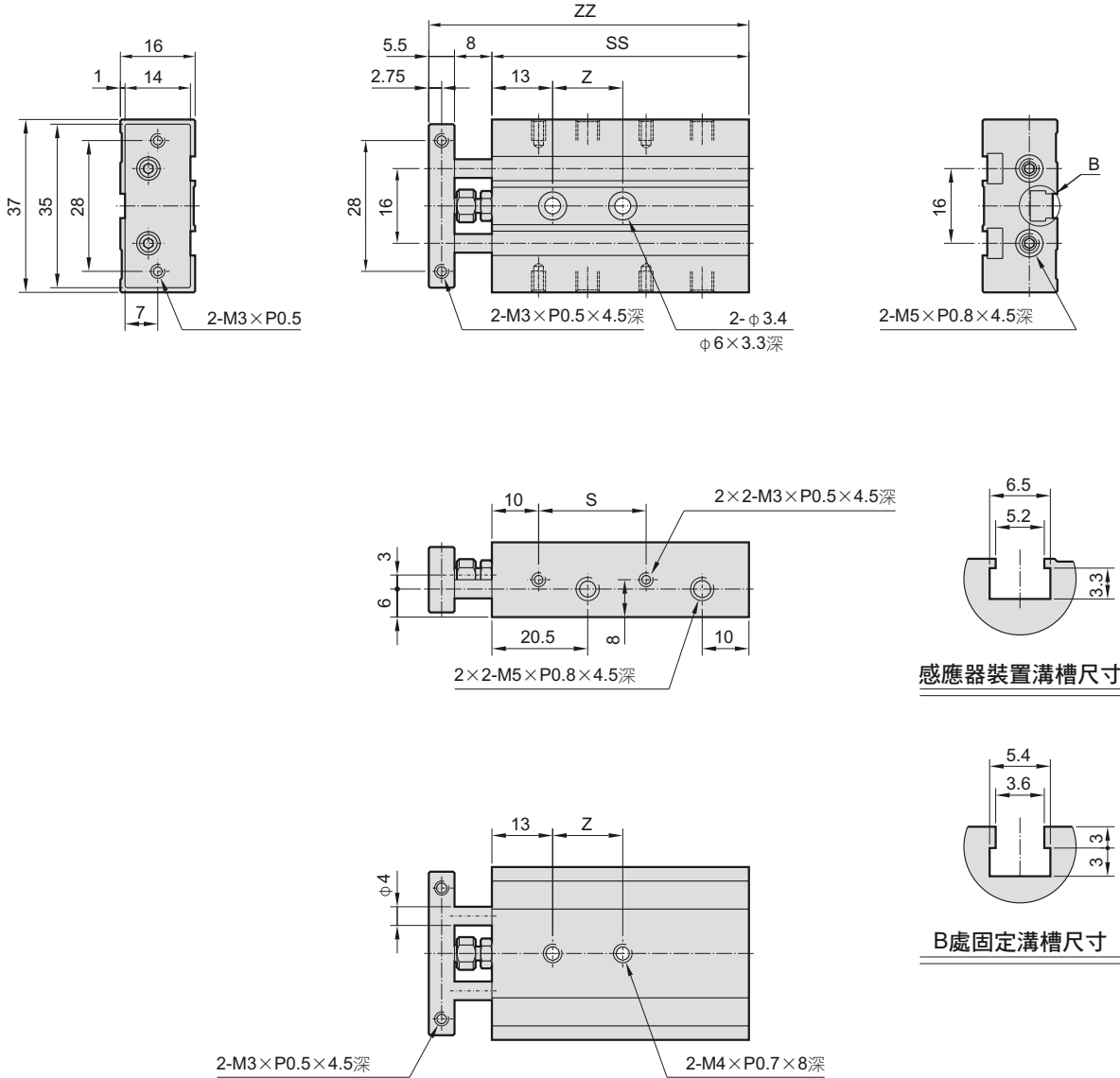
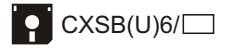
CXSU Bore $\phi 10 \sim \phi 32$



No.	零件名稱 part name	數量 Quantity	No.	零件名稱 part name	數量 Quantity	No.	零件名稱 part name	數量 Quantity
1	前蓋 Rod cover	2	10	活塞螺絲 Piston bolt	2	19	調整螺絲 Stopper bolt	1
2	後蓋 Head cover	2	11	O型環 Piston O-ring	2	20	防震墊片 Shockproof lining	2
3	活塞本體 Piston	2	12	乾式軸承 Oilless bearing	4	21	螺絲 Plate bolt	2
4	活塞桿 Piston rod	2	13	線性軸承 Linear bearing	2	22	螺帽 Nut	1
5	氣缸本體 Cylinder tube	1	14	軸封 Rod packing	2	23	止付螺絲 Stopping bolt	2
6	磁環座 Magnet holder	2	15	活塞迫緊 Piston packing	2	24	C型扣環 Snap ring	4
7	軸承座 Bearing holder	2	16	前後蓋O型環 Cylinder gasket	4	25	墊片 Lining	2
8	線性軸承座 Linear bearing holder	2	17	磁環 Magnet	2			
9	托板 Front plate	1	18	前座墊片 Rubber lining	1			

尺寸圖 Dimension $\phi 6$

CXSB 含油軸襯重負荷型
Heavy duty (bush) type

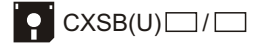


Stroke	S	Z	SS	ZZ
10	23	15	55	68.5
20	33	20	65	78.5
30	43	25	75	88.5
40	53	30	85	98.5
50	63	35	95	108.5

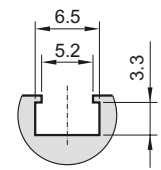
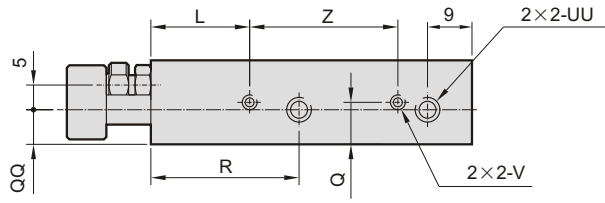
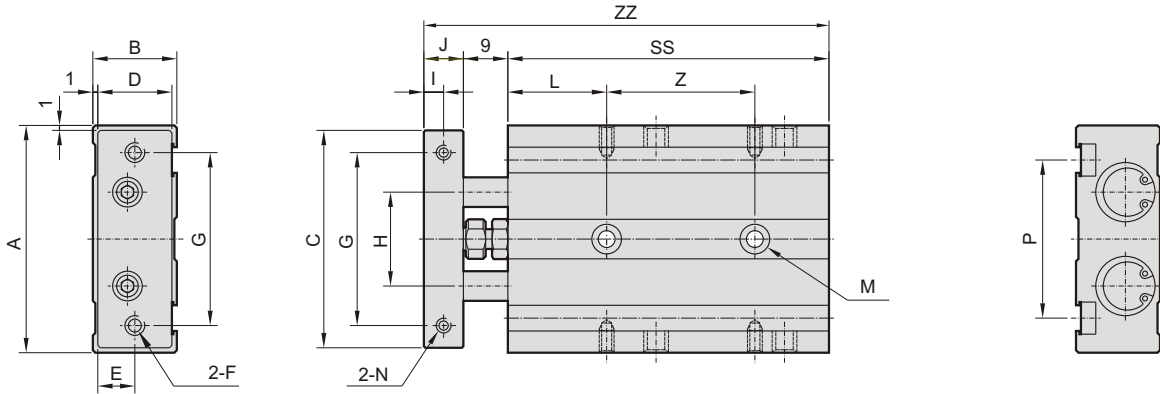
Dual-rod cylinders

尺寸圖 Dimension $\phi 10$, $\phi 16$

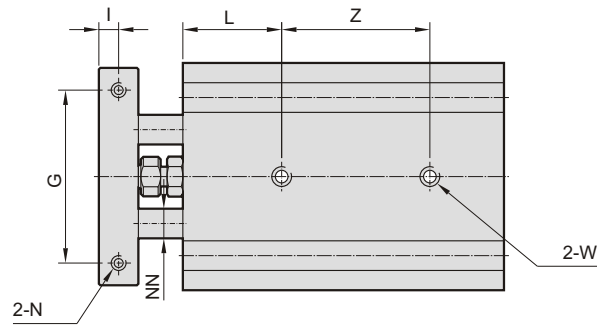
CXSB 含油軸襯重負荷型
Heavy duty (bush) type



CXSU 線性軸承精密型
Heavy duty (linear bearing) type



感應器裝置溝槽尺寸



Bore	A	B	C	D	E	F	G	H	I	J	L	M	N	NN	P	Q	QQ	R	W	V
$\phi 10$	46	17	44	15	7.5	M4×P0.7	35	19	4	8	20	2- $\phi 3.4$, $\phi 6 \times 3.3$ 深	M3×P0.5×5深	$\phi 6$	32	8.5	7	30	M4×P0.7×8深	M3×P0.5×4.5深
$\phi 16$	58	20	56	18	9	M5×P0.8	45	24	5	10	30	2- $\phi 4.3$, $\phi 8 \times 4.4$ 深	M4×P0.7×6深	$\phi 8$	47	10	10	36	M5×P0.8×9深	M4×P0.7×5深

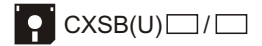
Bore	UU	Stroke : 10			Stroke : 15			Stroke : 20			Stroke : 25			Stroke : 30			Stroke : 35			Stroke : 40			Stroke : 45			Stroke : 50		
		SS	Z	ZZ	SS	Z	ZZ	SS	Z	ZZ	SS	Z	ZZ	SS	Z	ZZ	SS	Z	ZZ	SS	Z	ZZ	SS	Z	ZZ	SS	Z	ZZ
$\phi 10$	M5×P0.8×4.5深	65	30	82	70	30	87	75	30	92	80	30	97	85	40	102	90	40	107	95	40	112	100	40	117	105	40	122
$\phi 16$	M5×P0.8×5.5深	70	25	89	75	25	94	80	25	99	85	25	104	90	35	109	95	35	114	100	35	119	105	35	124	110	35	129

Bore	Stroke : 60			Stroke : 70			Stroke : 75			Stroke : 80			Stroke : 90			Stroke : 100			Stroke : 125			Stroke : 150		
	SS	Z	ZZ	SS	Z	ZZ	SS	Z	ZZ	SS	Z	ZZ	SS	Z	ZZ	SS	Z	ZZ	SS	Z	ZZ	SS	Z	ZZ
$\phi 10$	115	50	132	125	50	142	130	50	147	-	-	-	-	-	-	-	-	-	-	-	-	-	-	-
$\phi 16$	120	45	139	130	45	149	135	46	154	140	45	159	150	55	169	160	55	179	185	80	204	210	80	229

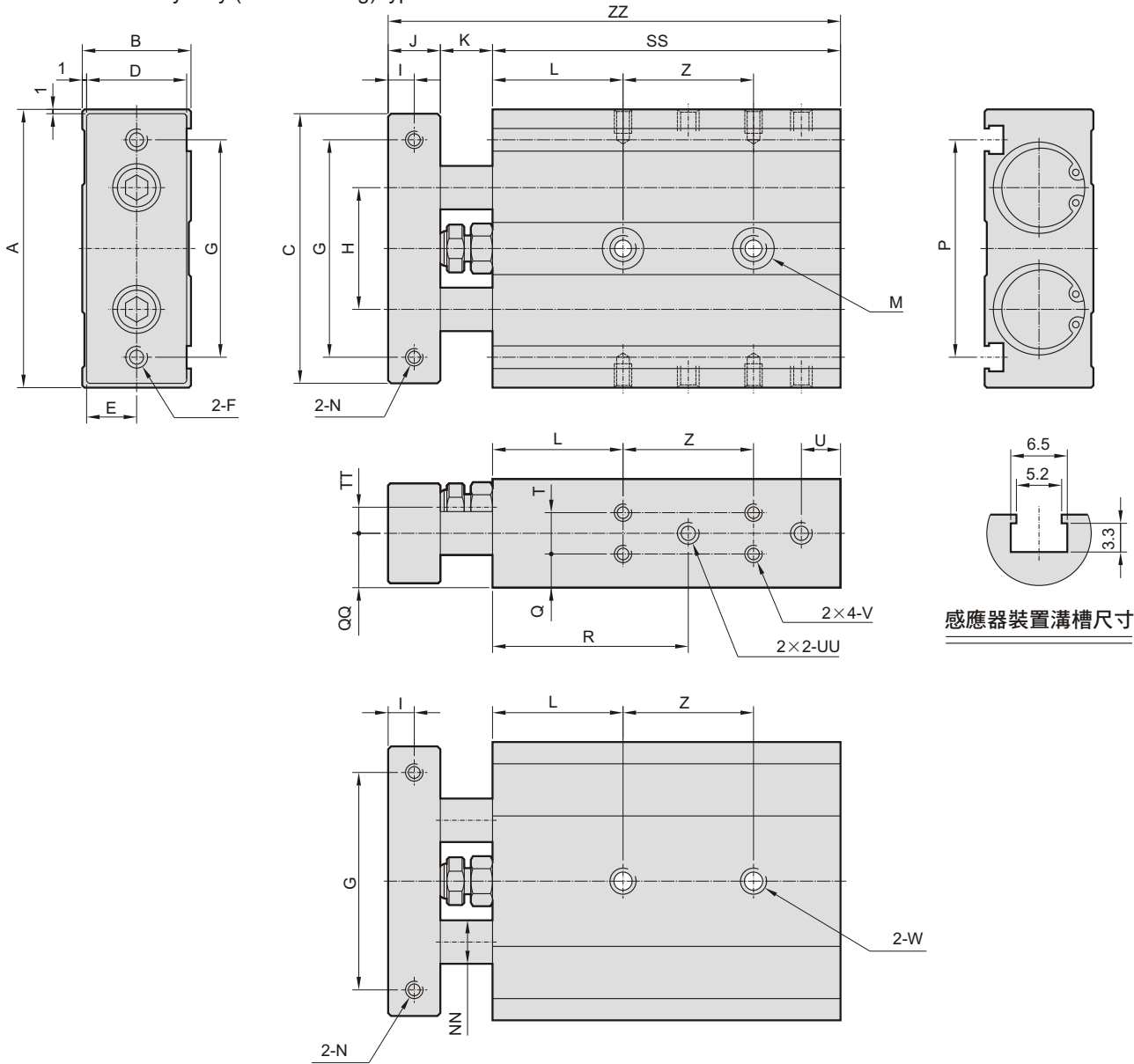
Dual-rod cylinders

尺寸圖 Dimension $\phi 20 \sim \phi 32$

CXSB 含油軸襯重負荷型
Heavy duty (bush) type



CXSU 線性軸承精密型
Heavy duty (linear bearing) type



Bore	A	B	C	D	E	F	G	H	I	J	K	L	M	N	NN	P	Q	QQ	R	T	TT	U
$\phi 20$	64	25	62	23	11.5	M5×P0.8	50	28	6	12	12	30	2- $\phi 5.5, 2-\phi 9.5 \times 5.4$ 深	M4×P0.7×7.5深	$\phi 10$	50	7.75	12.5	45	9.5	6	9
$\phi 25$	80	30	78	28	14	M6×P1.0	60	35	6	12	12	30	2- $\phi 6.8, 2-\phi 11 \times 6.3$ 深	M5×P0.8×7.5深	$\phi 12$	60	8.5	15	44.5	13	9	10
$\phi 32$	98	38	96	36	18	M6×P1.0	75	44	8	16	14	30	2- $\phi 6.8, 2-\phi 11 \times 6.3$ 深	M5×P0.8×10深	$\phi 16$	74	9	19	52.5	20	11	12

Bore	UU	V	W	Stroke : 10			Stroke : 15			Stroke : 20			Stroke : 25			Stroke : 30			Stroke : 35			Stroke : 40		
				SS	Z	ZZ	SS	Z	ZZ	SS	Z	ZZ	SS	Z	ZZ	SS	Z	ZZ	SS	Z	ZZ	SS	Z	ZZ
$\phi 20$	M5×P0.8×4.5深	M4×P0.7×5.5深	M6×P1.0×10深	80	30	104	85	30	109	90	30	114	95	30	119	100	40	124	105	40	129	110	40	134
$\phi 25$	PT 1/8	M5×P0.8×7.5深	M8×P1.25×16深	82	30	106	87	30	111	92	30	116	97	30	121	102	40	126	107	40	131	112	40	136
$\phi 32$	PT 1/8	M5×P0.8×7.5深	M8×P1.25×16深	92	40	122	97	40	127	102	40	132	107	40	137	112	50	142	117	50	147	122	50	152

Bore	Stroke : 45			Stroke : 50			Stroke : 60			Stroke : 70			Stroke : 75			Stroke : 80			Stroke : 90			Stroke : 100			Stroke : 125			Stroke : 150		
	SS	Z	ZZ	SS	Z	ZZ	SS	Z	ZZ	SS	Z	ZZ	SS	Z	ZZ	SS	Z	ZZ	SS	Z	ZZ	SS	Z	ZZ	SS	Z	ZZ			
$\phi 20$	115	40	139	120	40	144	130	60	154	140	60	164	145	60	169	150	60	174	160	60	184	170	60	194	195	85	219	220	85	244
$\phi 25$	117	40	141	122	40	146	132	60	156	142	60	166	147	60	171	152	60	176	162	60	186	172	60	196	197	85	221	222	85	246
$\phi 32$	127	50	157	132	50	162	142	70	172	152	70	182	157	70	187	162	70	192	172	70	202	182	70	212	207	95	237	232	95	262