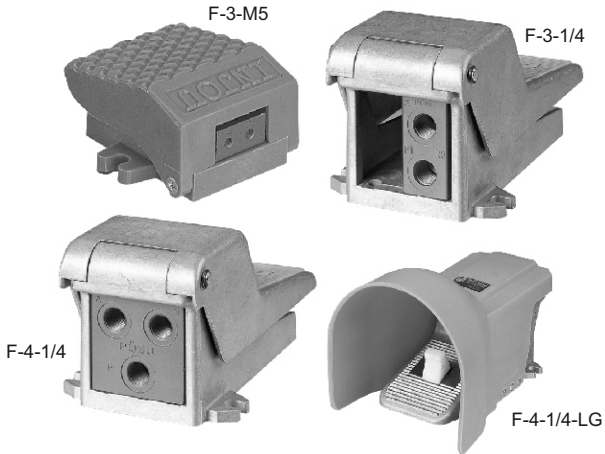


# M5, G1/4

## 系列 腳踏開關

series FOOT PEDAL DIRECTIONAL CONTROL VALVE 二·三·四方口腳踏閥  
2,3,4 way Mechanical Valve



### 規格表 Specifications

|      |                          |        |          |     |
|------|--------------------------|--------|----------|-----|
| 接管口徑 | Port thread size (G)     | M5     | 1/4"     |     |
| 位置數  | Port amount              | 3/2    | 2/2, 3/2 | 4/2 |
| 使用流體 | Used fluid               | 空氣 Air |          |     |
| 最大流量 | Maximum flow (ℓ/min)     | 110    | 600      |     |
| 使用溫度 | Ambient temperature (°C) | 0 ~ 60 |          |     |
| 重量   | Weight (g)               | 180    | 640      | 820 |

訂購代號 Order No.

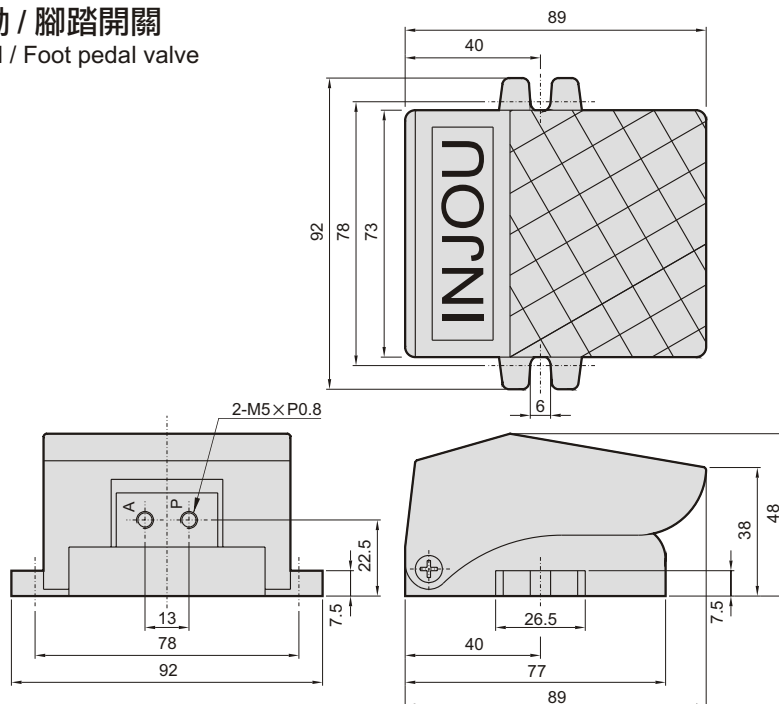
**F** - **3** - **1/4** - **□**

- 型狀 Form
- 接管口徑 Port Size
- 方口數 Port amount
- 作動閥樣式 Type

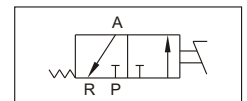
|   |  |     |
|---|--|-----|
| 2 |  | 2/2 |
| 3 |  | 3/2 |
| 4 |  | 4/2 |

|           |   |
|-----------|---|
|           | 標準<br>Normal                            |
| <b>L</b>  | 有停駐<br>Lock                             |
| <b>G</b>  | 保護罩<br>A protective cover               |
| <b>LG</b> | 有停駐及保護罩<br>A protective cover with lock |

### F-3-M5 手動 / 腳踏開關 Hand / Foot pedal valve

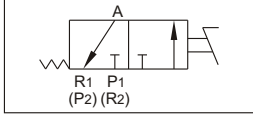


Symbol

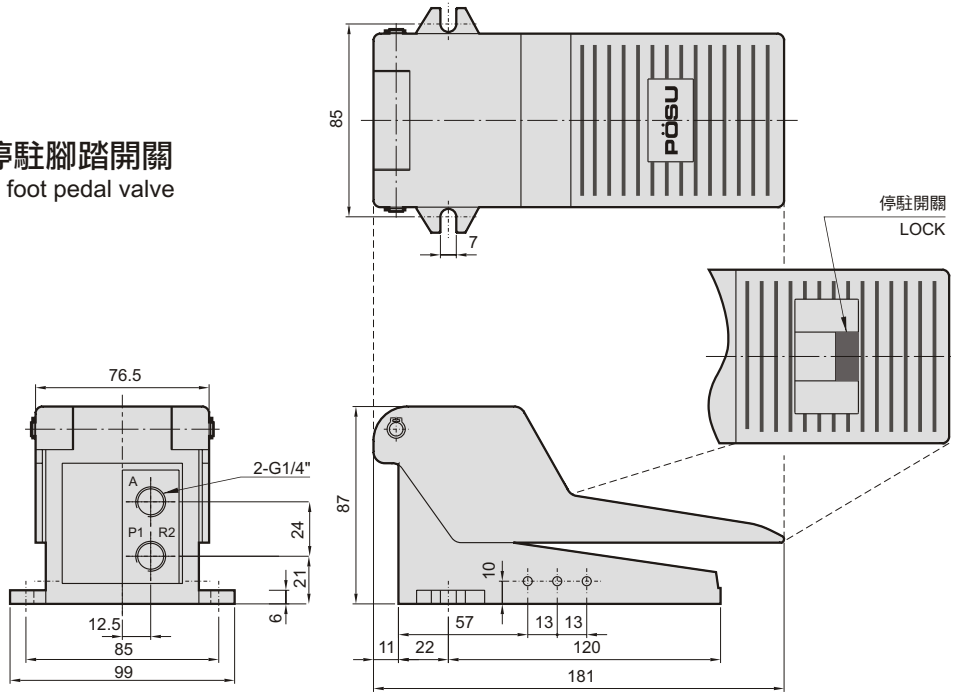
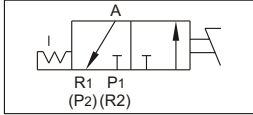


腳踏閥 Foot Pedal Valve

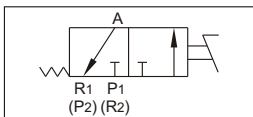
**F-3-1/4** 標準型腳踏開關  
Normal foot pedal valve



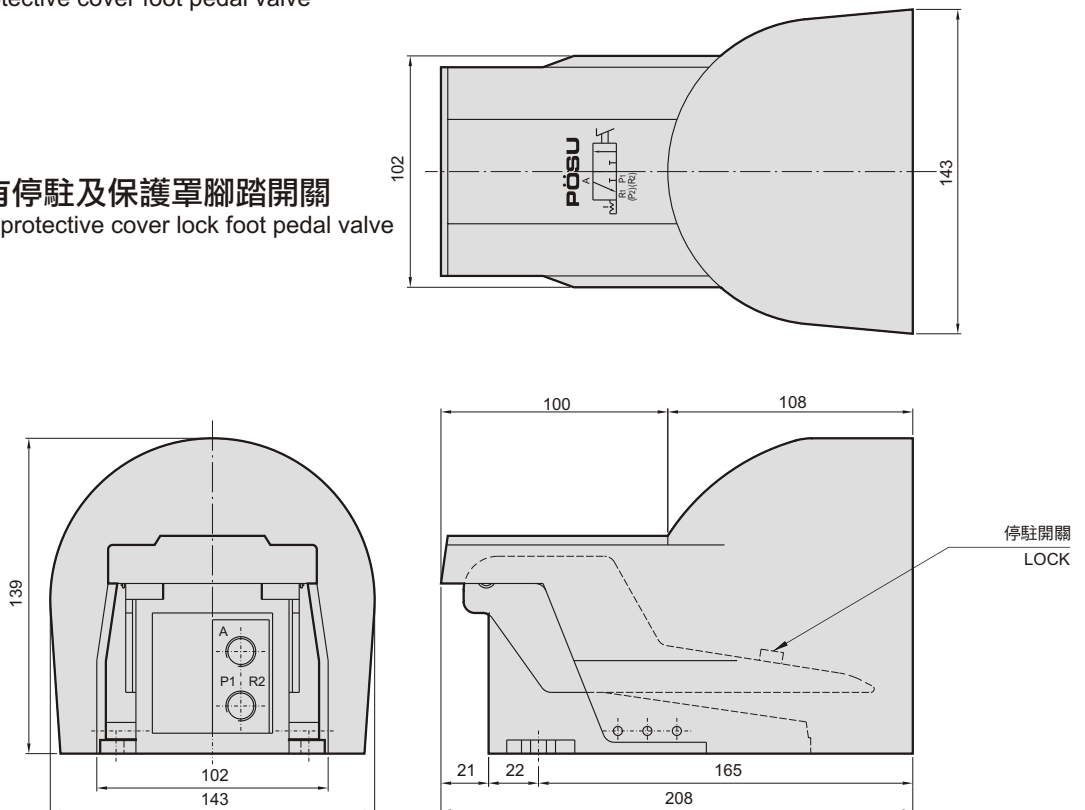
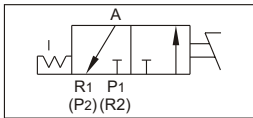
**F-3-1/4-L** 有停駐腳踏開關  
Lock foot pedal valve



**F-3-1/4-G** 保護罩腳踏開關  
A protective cover foot pedal valve

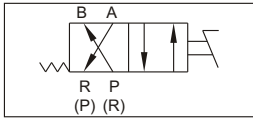


**F-3-1/4-LG** 有停駐及保護罩腳踏開關  
A protective cover lock foot pedal valve

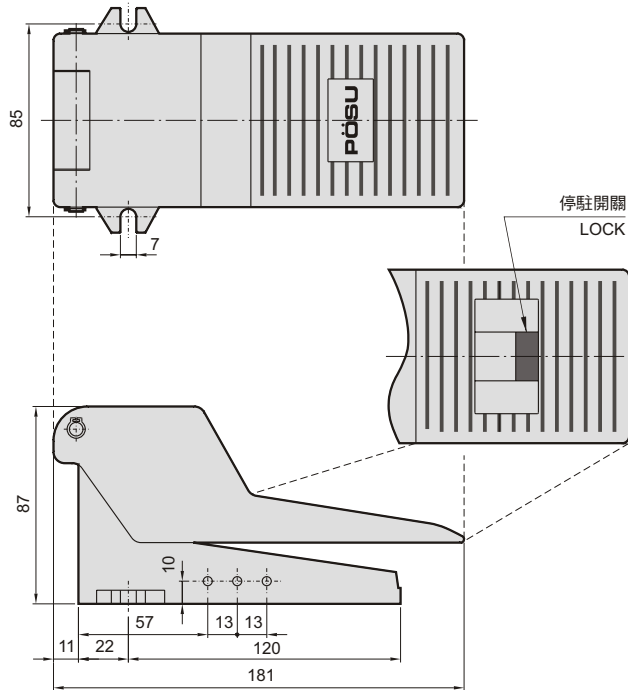
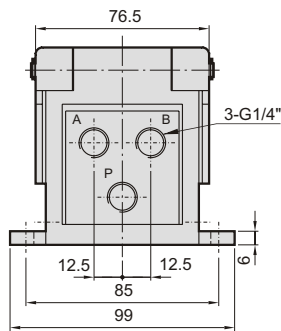
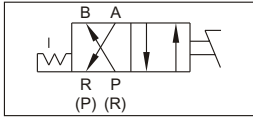


腳踏閥 Foot Pedal Valve

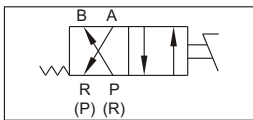
**F-4-1/4** 標準型腳踏開關  
Normal foot pedal valve



**F-4-1/4-L** 有停駐腳踏開關  
Lock foot pedal valve



**F-4-1/4-G** 保護罩腳踏開關  
A protective cover foot pedal valve



**F-4-1/4-LG** 有停駐及保護罩腳踏開關  
A protective cover lock foot pedal valve

