

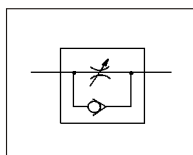
# SC

## 系列 金屬調速接頭 (彎頭型)

series METAL SPEED CONTROLLER (ELBOW TYPE)



Symbol



### 接頭本體流量符號 Flow Direction Symbols on Body

排氣控制 METER-OUT TYPE		
入氣控制 METER-IN TYPE		

- 本體之金屬部份是以銅及不銹鋼製成，表面鍍鎳及鍍更加美觀。
- 管之夾爪亦用不銹鋼製成，可長期使用不會造成彈性疲乏成脫落而產生事故。
- The metal part of body is made up of brass and stainless steel. It's chromium and nickel-plating surface and beautiful exterior.
- The claw is made up of stainless steel to keep using for a long time without elastic exhaustion.

### 規格表 Specifications

使用流體 Used fluid	空氣 Air
最大供應壓力 Max. supply pressure (kgf/cm <sup>2</sup> )	15
最大操作壓力 Max. operating pressure (kgf/cm <sup>2</sup> )	10
最小操作壓力 Min. operating pressure (kgf/cm <sup>2</sup> )	1
使用溫度 Ambient temperature (°C)	0 ~ 60
可使用管之材質 Applicable tubing material	尼龍 Nylon / 聚氨酯 Polyurethane (PU)

### 訂購代號 Order No.

**SC** **A** **04** **M5**

- 型式 Type
 

SC	
SB	
- 控制型式 Control type
 

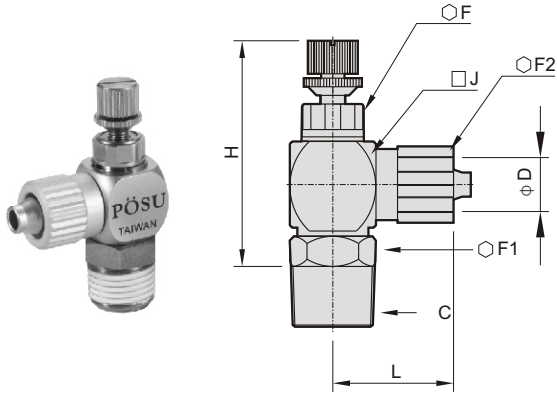
A	排氣控制 Meter-out
A	入氣控制 Meter-in
- 管外徑 Tubing O.D.
 

04	φ 4
06	φ 6
- 牙徑 Thread size
 

M5	M5 × P0.8
1/8"	PT 1/8

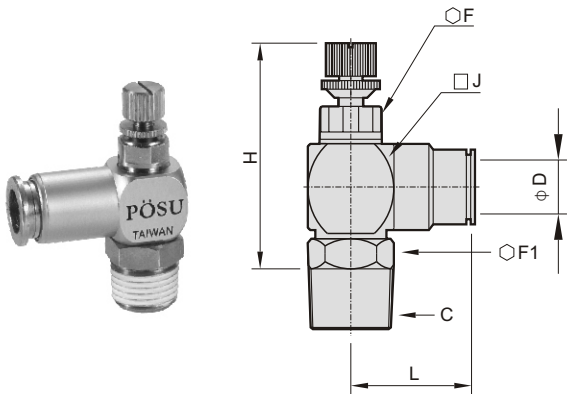
SC : 飛速型 Compression Fitting  
SB : 快插型 One-touch Fitting

**SC 飛速型**  
Compression Fitting



訂購標示 How to order	D	C	F	F <sub>1</sub>	F <sub>2</sub>	H		J	L
						mini	max		
SC-04-M5	4	M5×P0.8	7	—	8	23.5	26	10	16
SC-06-M5	6	M5×P0.8	7	—	10	23.5	26	10	17.5
SC-04-1/8"	4	PT1/8	7	10	8	23.5	26	10	16
SC-06-1/8"	6	PT1/8	7	10	10	23.5	26	10	17.5
SCA-04-M5	4	M5×P0.8	7	—	8	23.5	26	10	16
SCA-06-M5	6	M5×P0.8	7	—	10	23.5	26	10	17.5
SCA-04-1/8"	4	PT1/8	7	10	8	23.5	26	10	16
SCA-06-1/8"	6	PT1/8	7	10	10	23.5	26	10	17.5

**SB 快插型**  
One-touch Fitting



訂購標示 How to order	D	C	F	F <sub>1</sub>	H		J	L
					mini	max		
SB-04-M5	4	M5×P0.8	7	—	23.5	26	10	16
SB-06-M5	6	M5×P0.8	7	—	23.5	26	10	16.3
SB-04-1/8"	4	PT1/8	7	10	23.5	26	10	16
SB-06-1/8"	6	PT1/8	7	10	23.5	26	10	16.3
SBA-04-M5	4	M5×P0.8	7	—	23.5	26	10	16
SBA-06-M5	6	M5×P0.8	7	—	23.5	26	10	16.3
SBA-04-1/8"	4	PT1/8	7	10	23.5	26	10	16
SBA-06-1/8"	6	PT1/8	7	10	23.5	26	10	16.3

流量特性 Flow Characteristics

SC-04-M5, SC-06-M5, SB-04-M5, SB-06-M5,  
SCA-04-M5, SCA-06-M5, SBA-04-M5, SBA-06-M5

SC-04-1/8, SC-06-1/8, SB-04-1/8, SB-06-1/8,  
SCA-04-1/8, SCA-06-1/8, SBA-04-1/8, SBA-06-1/8

